

Plastic-bodied safety switch with separate actuator

ENK ... VTU

Protection class IP 65

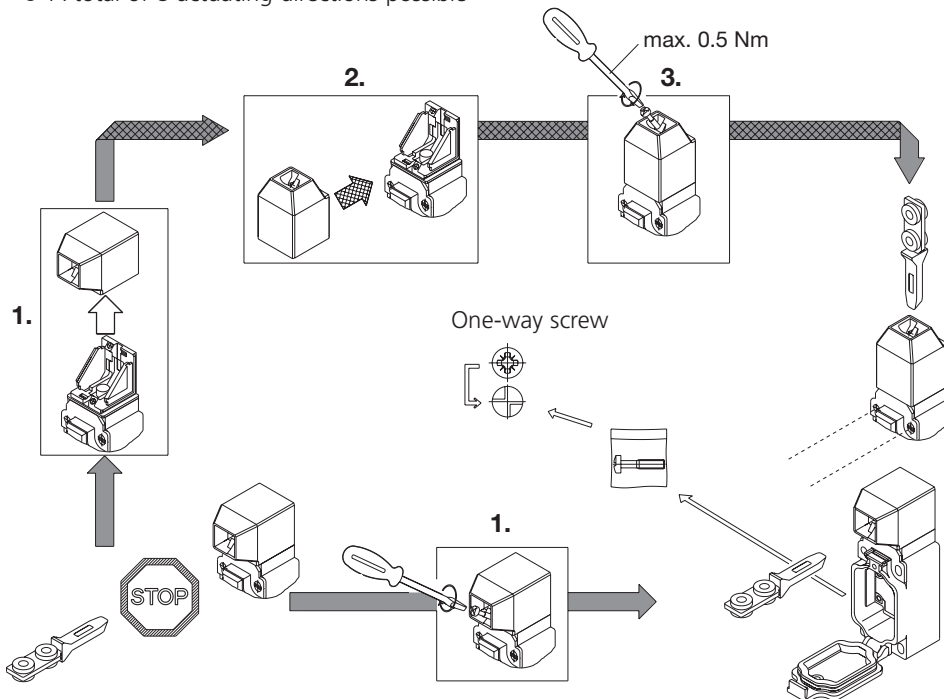


The safety switch ENK ...VTU offers the optimum combination of a cost-reducing plastic-bodied housing and an actuating system for difficult industrial demands.

The housing, made of glass-fibre reinforced polyamide, fulfils the demands required for isolated low-voltage switching and contact devices. Due to its pin shaped geometry, the particularly robust, separate actuator is suitable for use in tolerance-burdened protective equipment. Optional actuators, which can be adjustable or flexibly mounted, guarantee a high mechanical loading capacity.

- Mounting dimensions according to EN 50041
- Integrated mounting plate made of metal
- Actuation in horizontal and vertical directions
- A total of 8 actuating directions possible

- Safety contacts with positive break and galvanic isolation
- Contacts: 1NC+1NO, 2NC or 2NC+1NO (with overlapping contacts)
- Wiring space with hinged, self-locking lid
- Protection class IP 65
- Radius actuator and lateral actuator optional



Designation

Part number

Switching diagram

⊖ Forced disconnect

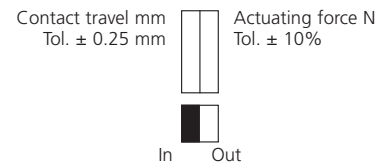
IEC 947-5-1 Chap. 3

Za: changeover contact is not galvanically isolated

Zb: changeover contact is galvanically isolated

Slow-action contact/snap-action contact

Gasket inside (iw)/outside (w)



Voltage max.

Continuous thermal current max.

Making current, acc. to IEC 947-5-1 AC 15/DC 13

Switching frequency max.

Mech. operational life – number of switching cycles

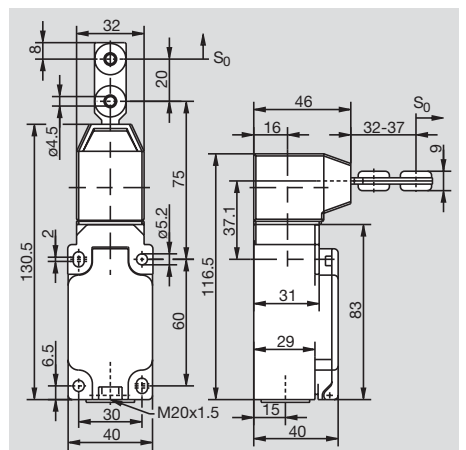
Ambient temperature min./max.

Approvals

Pending Approvals

Weight

Delivery: ex-stock/built to order



The positioning of the actuating head in either a horizontal or vertical actuating direction offers the choice of 8 actuating directions for the actuator.

