

12X10X6 PREMIUM LINE

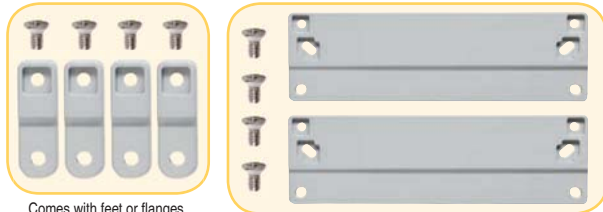


PREMIUM POLYCARBONATE ENCLOSURE

Features and Benefits

- 16 Standard configurations including hinged or non-hinged lids in 2-screw, 4-screw, or stainless steel metal latched lids.
- Standard color – light gray with a gloss finish.
- Best material – bases, opaque covers and clear covers are all made of high-impact, UV resistant polycarbonate.
- Easy ordering – one part number includes base, lid, mounting feet or flanges and all lid fastening hardware (mounting panels sold separately).
- Flexible interior mounting – features the unique and patented Integra adjustable depth “T-Rail” back panel mounting system (back panel and adjustable brackets sold separately).
- Features multiple bosses for easy installation of devices and DIN rails.
- UL-50 / c-UL Listed (files # E229365, # E207562)

Our Premium Line enclosures are the most durable, aesthetically pleasing, non-metallic Nema UL rated enclosures available. From the extremely versatile mounting options inside the enclosure to having the most off-the-shelf accessories, the Integra “Made In the USA” Premium Line enclosures provide great value to any application.



Comes with feet or flanges.

Mechanical and Thermal	Test Spec.	Unit	Premium Line
Instrumented Dart Impact @ 73° F		in/lb.	565
Falling Ball Impact @ 73° F	UL-746	in/lb.	900
Deflection Temperature @ 264 psi	ASTM D648	Deg. F	270
Modulus of Elasticity	ASTM D790	ksi	340
Temperature Range		Deg. F	-40 to 265
Flammable / UV Ratings	Test Spec.	Unit	Premium Line
Flame Rating - UL	UL 94	-	5VA
Outdoor UV Exposure	UL	-	F1



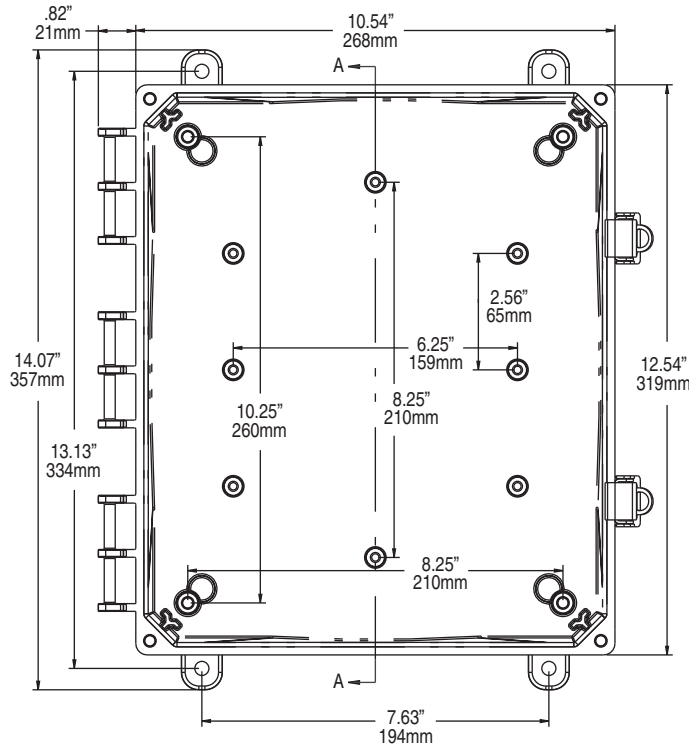
Atex pending, contact factory for details

12106 P/N	4X IP66	6P IP68	Hinged Cover	Screw Cover	Opaque Cover	Clear Cover	Mounting Feet	Mounting Flange	Stainless Steel Locking Latch	T-Rail System
H12106S	✓	✓		✓	✓		✓			✓
H12106SC	✓	✓		✓		✓	✓			✓
H12106SF	✓	✓		✓	✓			✓		✓
H12106SCF	✓	✓		✓		✓		✓		✓
H12106H	✓		✓	✓	✓		✓			✓
H12106HC	✓		✓	✓		✓	✓			✓
H12106HF	✓		✓	✓	✓			✓		✓
H12106HCF	✓		✓	✓		✓		✓		✓
H12106HLL	✓		✓		✓		✓		✓	✓
H12106HCLL	✓		✓			✓	✓		✓	✓
H12106HFLL	✓		✓		✓			✓	✓	✓
H12106HCFLL	✓		✓			✓		✓	✓	✓
H12106H-6P	✓	✓	✓	✓	✓		✓			✓
H12106HC-6P	✓	✓	✓	✓		✓	✓			✓
H12106HF-6P	✓	✓	✓	✓	✓			✓		✓
H12106HCF-6P	✓	✓	✓	✓		✓		✓		✓

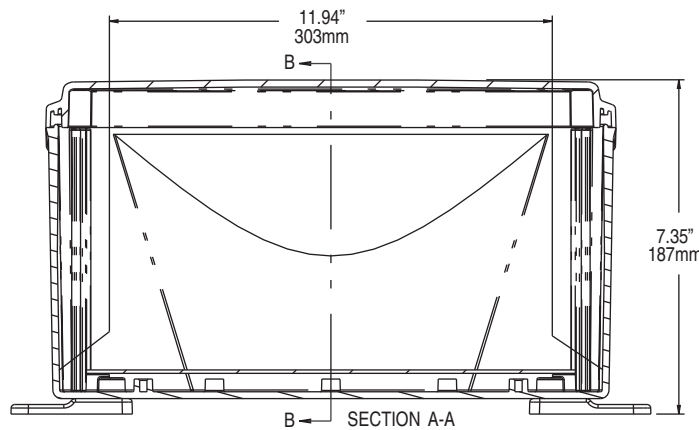
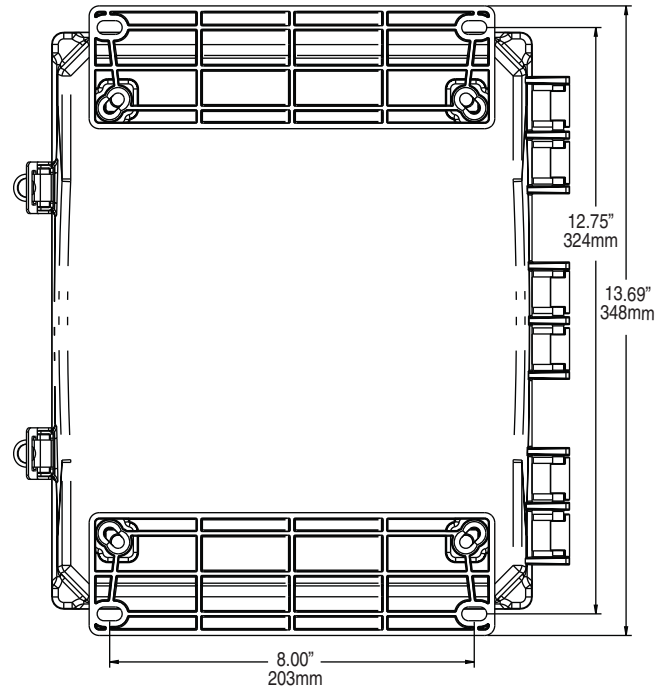
TORQUE SPECIFICATIONS - Mounting Brackets - 1/4"-20 x 0.25 SS, countersunk phillips drive screws (torque limit = 20 in. lbs.) | Covers / Doors - Torque for corner screws is 10 in. lbs.



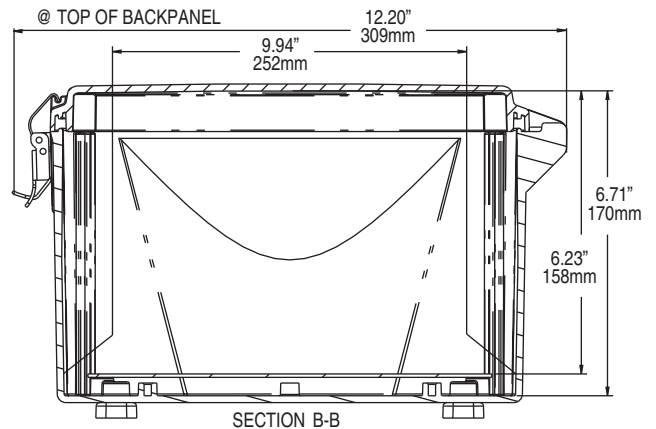
12X10X6 PREMIUM LINE



@ TOP OF BACKPANEL



B ← SECTION A-A



SECTION B-B

Register online to download this drawing off the Integra website at www.integraenclosures.com | Your company's logo or other information on the lid. Consult factory for details.

Accessories for 12x10x6 (For complete accessories, see page 49-52)



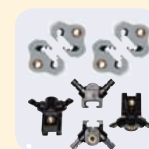
Back Panels

- ABP1210 - Aluminum panel
- SBP1210 - Steel panel
- PVCBP1210 - PVC panel



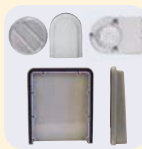
Aluminum Swing Out Panels

- ABP-1210USP/USOPK - Complete panel kit
- ABP-1210USP - Aluminum swing out panels only
- SOPK - Hardware only



Back Panel Adjustment Kit

- BPAKG - Gray, Set Screw
- BPAKB - Black, Set Screw
- UBPAKG - Gray, Thumb Screw
- UBPAKB - Black Thumb Screw



Air Vents / Fan Shrouds

- VENT 1 - 3" Aluminum louvered
 - VENT 2 - Outdoor labyrinth
 - FS KIT1 - 1 piece kit
 - FS KIT2 - 2 piece kit
- Specifications on page 47



Steel Swing Out Panels

- SBP-1210USP/USOPK - Complete panel kit
- SBP-1210USP - Steel swing out panels only
- SOPK - Hardware only



Cord Grips

- IP68/NEMA 4X/6P rated
- See page 54 for more details and part numbers.



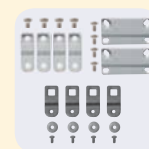
Din Rail

- DIN 10 - 2 rails, 4 screws



Pole Mounting Kit

- PMKG-210 - 2" pole
- PMKG-310 - 3" pole
- PMKG-410 - 4" pole
- PMKG-1210 - 12" pole



Mounting Feet & Flange Kits

- MFKG - Premium line feet
- MFKSS - Stainless steel feet
- MFLK10 - 10" Flange kit