

# Stainless Steel Suspension System CS-480 NR

## Product features

The CS-480 NR suspension system was specifically developed for mounting control enclosures in hygienic areas in the food and pharmaceutical industries.

Thanks to the variety of different models, the CS-480 NR ensures absolute flexibility. You have the choice between a combination of tubes shaped to customer specifications and suspension system components or, if time is pressing, you can combine the preshaped tubes and coupling sleeves available from stock with the suspension system components.

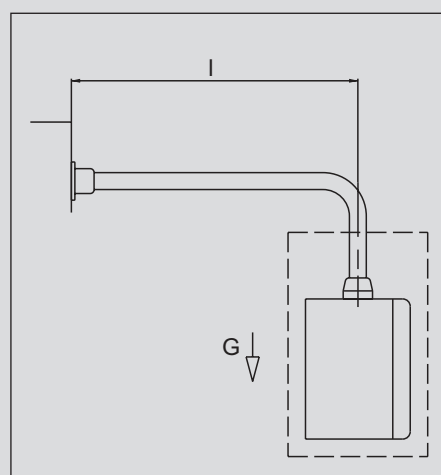
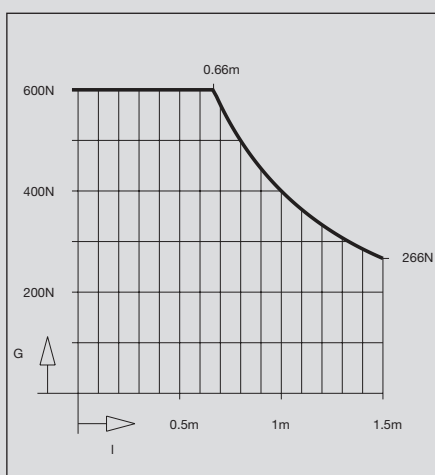
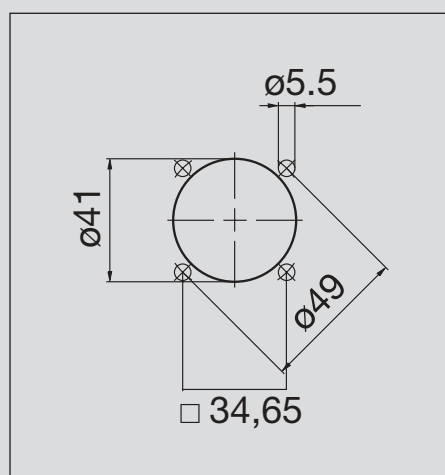


## System features

- Installation openings at bearing components with horizontal outlet
- Easy mounting by clamping the support tubes
- Load bearing capacity 400 N at 1 m
- Protection class IP66/NEMA 4X
- Material 1.4305
- Torque preset at factory

## Enclosure preparation for mounting couplings

The dimensions of the coupling hole pattern for preparing the enclosure are shown in the following drawing.



## Materials and surfaces

- Stainless steel support tubes 1.4301
- Stainless steel components 1.4305
- Bearings POM
- O-rings NBR

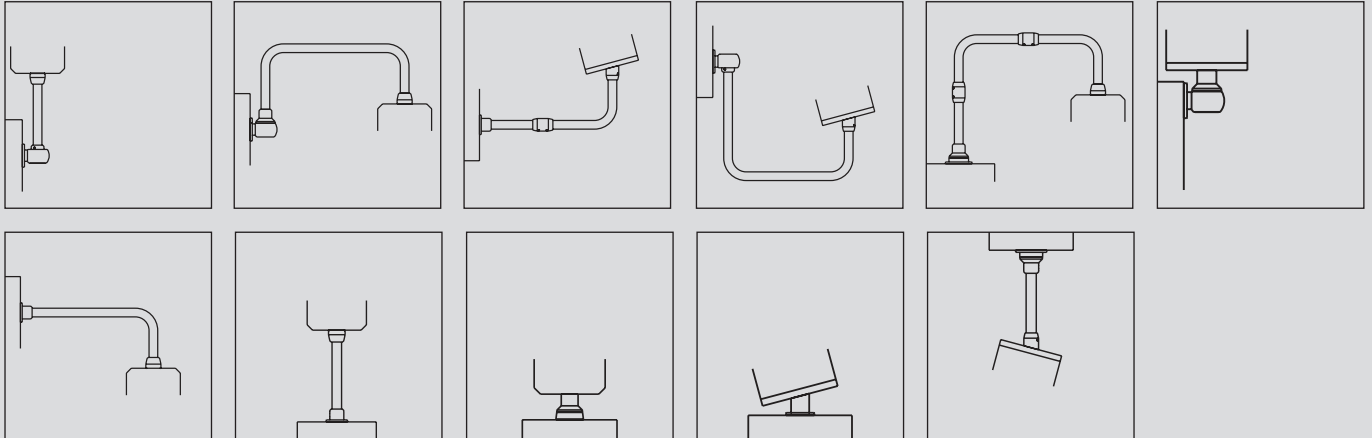
## Load diagram

Refer to the diagram for the load bearing capacity of the CS-480 NR suspension system. Approval for higher loads is to be obtained separately. The system length  $l$  refers to the length specification in the diagram.

The overview on Pages 110 / 111 is designed to help you determine the load bearing capacity of all BERNSTEIN suspension systems.


### System combinations

The following selection illustrates the high degree of flexibility that can be achieved in configuring the suspension system:




#### Support tubes

Support tubes with 48.3 mm outside diameter; wall thickness 3.6 mm, straight tubes

	Length mm	Article number
	250	9523501000
	500	9523502000
	750	9523503000
	1000	9523504000
	1250	9523505000
	1500	9523506000

#### Increased flexibility with L-shaped tubes and coupling sleeves

The use of L-shaped tubes and coupling sleeves together with straight support tubes can render unnecessary time-consuming manufacture of support tubes to customer specifications, L-shaped tubes

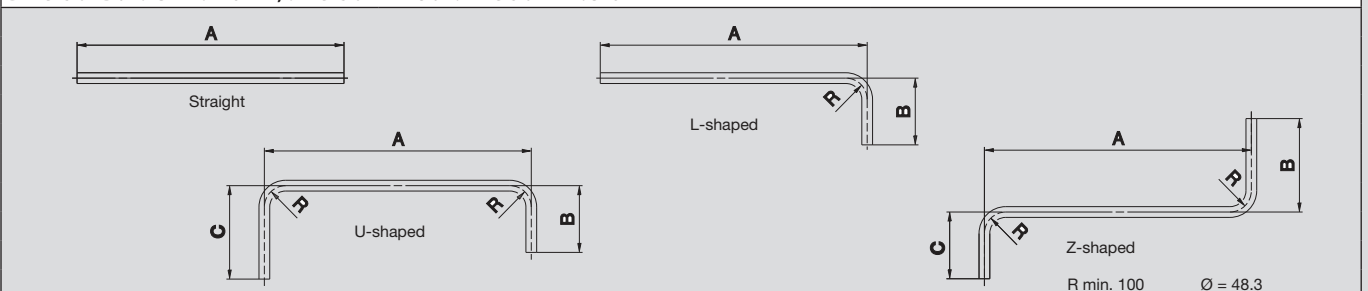
	250 x 250	9523500001
	500 x 500	9523500011
	Coupling sleeve	1013051200

#### Support tubes to customer specifications

Different versions of formed support tubes for the BERNSTEIN CS-480 NR suspension system are available on request. To order customised tubes simply quote the shape (e.g. straight, L-, U- or Z-shaped) and the dimensions.

#### Note:

Dimension B and C min. 220 mm; dimension A in U and Z version min. 320 mm



# Stainless Steel Suspension System CS-480 NR

Article	Straight coupling (for attaching enclosure)	Tilt coupling (for attaching enclosure)
Article number	1013050100	1013050300



Details	Flange coupling for mounting enclosures. Angle of rotation 340° with limit stop. Preset torque. Maintenance-free bearings. Complete with seals and mounting material	Rigid flange coupling with 15° tilt for mounting enclosures. Complete with seals and mounting material
Weight in g	1400	1000
Material	Stainless steel	Stainless steel
Accessories (retrofitable)		

Application example		
---------------------	--	--

Dimensions in mm	 	 
------------------	------	------

CAD files available at [www.bernstein.eu](http://www.bernstein.eu)

**Rotary base coupling, external mounting**
**1013050700**
**Rotary base coupling, internal mounting**
**1013050800**
**Base tilt coupling**
**1013050400**


Rotary base coupling (external mounting) for directly mounting enclosures on machines or floors. Angle of rotation 340° with limit stop. Preset torque. Maintenance-free bearings. Complete with seals and mounting material

**4500**

Stainless steel

Rotary base coupling (internal mounting) for directly mounting enclosures on machines or floors. Angle of rotation 340° with limit stop. Preset torque. Maintenance-free bearings. Complete with seals and mounting material

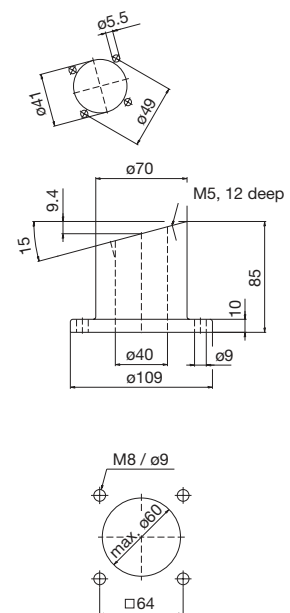
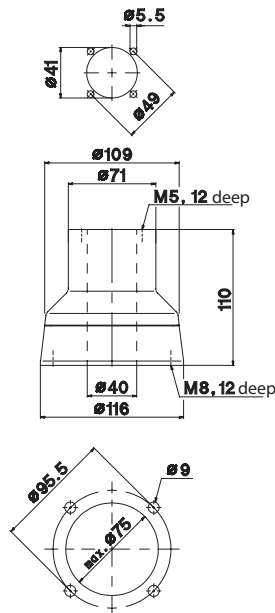
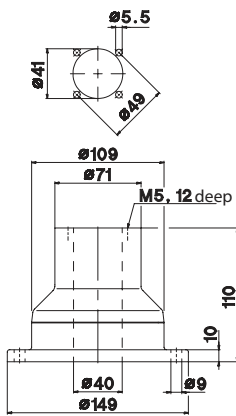
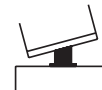
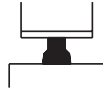
**4100**

Stainless steel

Rigid tilt coupling with 15° tilt for directly mounting enclosures on horizontal surfaces. Complete with seals and mounting material

**1900**

Stainless steel



# Stainless Steel Suspension System CS-480 NR

<b>Article</b>	<b>Coupling sleeve</b>	<b>Wall joint S</b>
<b>Article number</b>	1013051200	1013050900



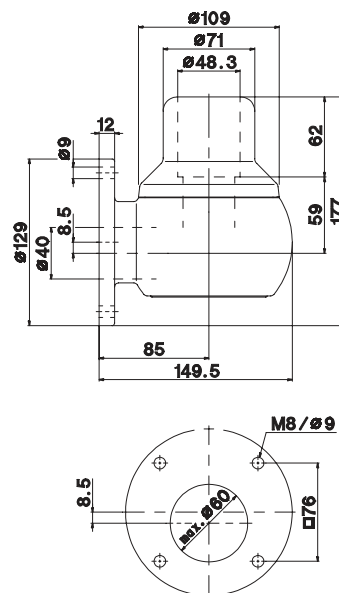
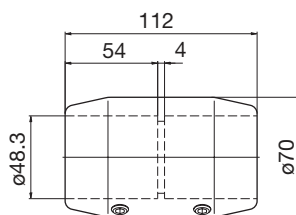
<b>Details</b>	Coupling sleeve for easy assembly and disassembly of tube configurations. Complete with seals	Wall joint with vertical outlet for mounting on vertical surfaces. Cover for easy cable installation. Angle of rotation 340° with limit stop. Preset torque. Maintenance-free bearings. Complete with seals
----------------	---	---

<b>Weight in g</b>	1500	7300
<b>Material</b>	Stainless steel	Stainless steel

<b>Accessories</b> (retrofitable)		

<b>Application example</b>		
----------------------------	--	--

**Dimensions in mm**



**CAD files available at [www.bernstein.eu](http://www.bernstein.eu)**

**Wall coupling S**
**1013051000**

**Wall bracket S**
**1013051100**

**Rotary base socket, external mounting**
**1013050500**


Rotary wall coupling for directly mounting on vertical machine surfaces. Angle of rotation 340° with limit stop. Cover for easy cable installation. Preset torque. Maintenance-free bearings. Complete with seals and mounting material

7300

Stainless steel

Wall bracket with vertical outlet for mounting on vertical surfaces. Cover for easy cable installation. Complete with seals

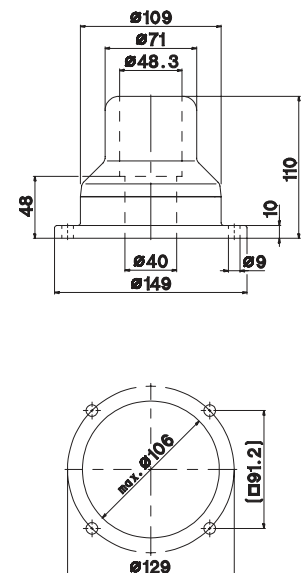
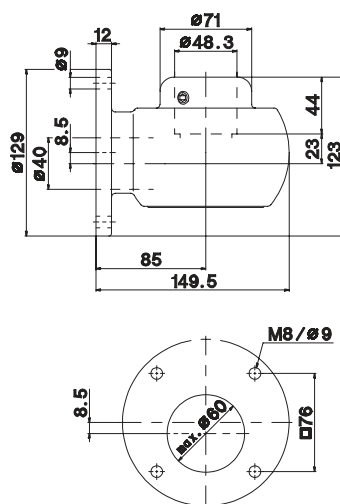
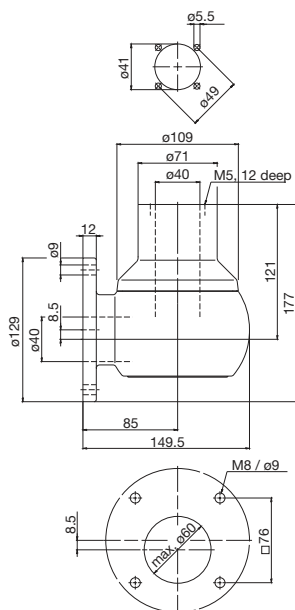
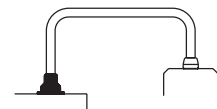
7700

Stainless steel

Rotary base for mounting on machines or floors. Angle of rotation 340° with limit stop. Preset torque. Maintenance-free bearings. Complete with seals

4200

Stainless steel

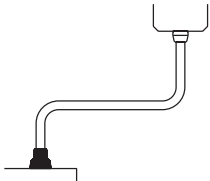
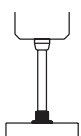


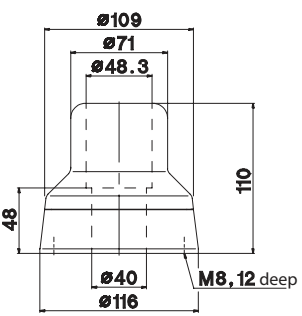
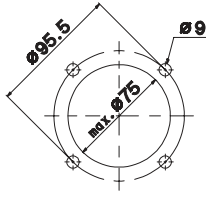
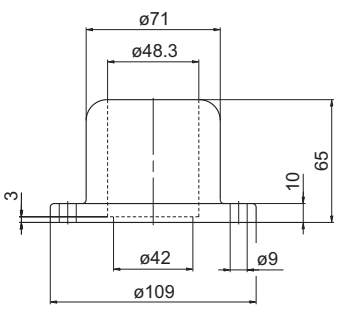
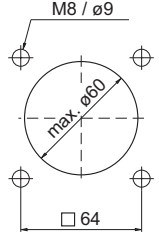
# Stainless Steel Suspension System CS-480 NR

Article	Rotary base socket, internal mounting	Base / wall flange
Article number	1013050600	1013050200



Details	Rotary base for mounting on machines or floors. Angle of rotation 340° with limit stop. Preset torque. Maintenance-free bearings. Complete with seals	Base or wall flange for mounting on horizontal and vertical surfaces. Complete with seals
Weight in g	3800	1400
Material	Stainless steel	Stainless steel
Accessories (retrofitable)		

Application example		
---------------------	---	---

Dimensions in mm	 	 
------------------	---	---

CAD files available at [www.bernstein.eu](http://www.bernstein.eu)





# Stainless Steel Suspension System CS-600 NR

## Product features

The CS-600 NR suspension system was specifically designed for mounting control enclosures in hygienic areas in the food and pharmaceuticals industries.

Compared to the conventional suspension systems, the CS-600 NR is characterised by its outstanding suitability for hygiene applications and its flexible modular concept.

The CS-600 NR makes it possible to mount units at an angle without the need for formed tubes, thus rendering time-consuming procurement of specially formed support tubes unnecessary.

The user can build up the modular suspension system easily, flexibly and variably from individual components available from stock.



## System advantages

- Installation openings at bearing components with horizontal outlet
- No external screws or dirt-collecting edges – ideal for cleaning
- Easy mounting by clamping the support tubes
- All components vibration-protected
- Load bearing capacity 600 N at 1 m
- Protection class IP 66 / NEMA 4X
- Torque preset at factory
- Modern design
- Diverse range of components for unlimited combination options
- Choice of component materials: stainless steel 1.4305 or anodised aluminium

## Cable leadthrough

Due to different cross sections, the various suspension system components have available varying degrees of space. The dimensioned openings at the narrowest point within the components are specified below.

