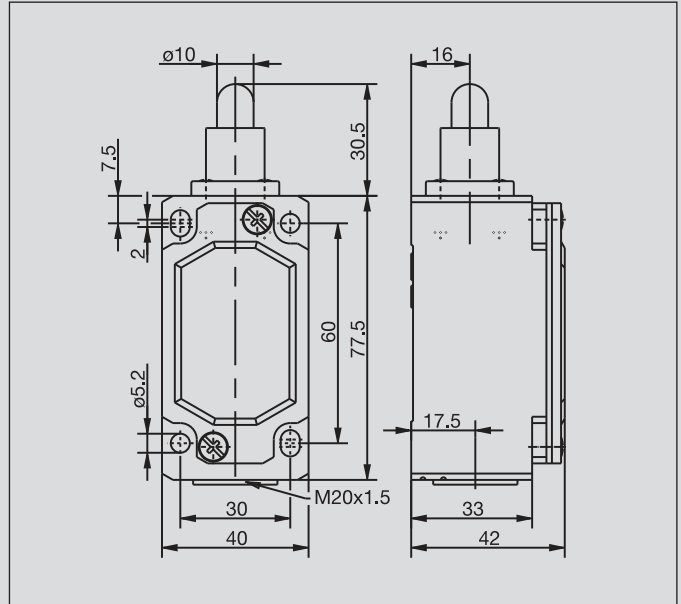


ENM2



Recommended use

With its standard enclosure, the ENM2 limit switch can be used universally in all industrial and safety applications.

Product advantages

- Standard switch conforming to DIN EN 50041
- Standard actuator conforming to DIN EN 50041 (see page 16)
- Protection class IP 65 to VDE 0470 T1
- Enclosure: Aluminium pressure die-casting
- Cover: Sheet aluminium
- Actuator can be repositioned by $4 \times 90^\circ$
- Cable entry M20 x 1.5
- Connection designation conforming to DIN EN 50013
- Metal actuators for high loads

Options

- AS interface versions on request
- Preassembled with customer-specific cables and connectors on request

Design layout

- Slow-action and snap-action contacts
- Versions: 1 NC / 1NO, 2 NC, overlapping contacts
- All NC contacts with \ominus in the circuit diagram are positively opening contacts
- Type: Zb (galvanically isolated changeover contact)

Mounting

- Two M5 adjustment screws with slots
- Two M5 screws for safety applications without additional securing element

Installation advantages

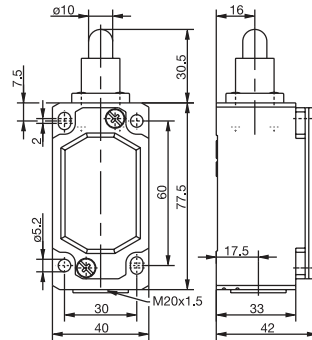
- Screw connections with self-lifting clamping plates
- Easy-to-change switching system thanks to snap-in retainer (depending on type)
- Finely adjustable switching point with adjusting screw
- Captive cover screws
- Enlarged connection space
- Earthing surface on same level as switching system

Technical data

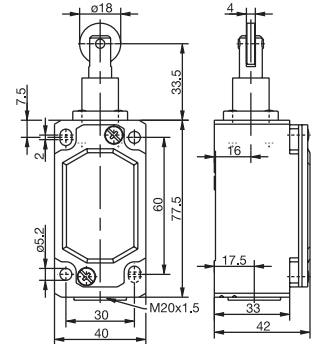
Electrical data	
Rated insulation voltage (up to) ^①	U_i max. 400 V AC
Conventional thermal current (up to) ^①	I_{the} 10 A
Rated operating voltage	U_e max. 240 V
Utilization category (up to) ^①	A300, AC-15, U_e/I_e 240 V/3 A
Short-circuit protection (up to) ^①	Fuse 10 A gL/gG
Protection class	I
Mechanical data	
Enclosure material	Aluminium pressure die-casting
Ambient temperature	-30 °C to + 80 °C
Mechanical service life (up to) ^①	10×10^6 switching cycles
B10d (up to) ^①	20 Mill.
Switching frequency	≤ 100 /min.
Type of connection	Screw connections
Conductor cross sections	Single-wire 0.5 – 1.5 mm ² or Stranded wire with ferrule 0.5 – 1.5 mm ²
Cable entry	1 x M20 x 1.5
Protection class	IP 65 conforming to IEC/EN 60529
Standards	
VDE 0660 T100, DIN EN 60947-1, IEC 60947-1 VDE 0660 T200, DIN EN 60947-5-1, IEC 60947-5-1	

^① Depending on switching system. See Table on Pages 70 – 73.

IW (Form B)



RIW (Form C)



Switching operation

Slow-action

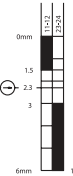
Snap-action

Slow-action

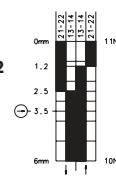
Snap-action

1 NC / 1 NO contact

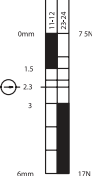
6087102001
ENM2-U1Z IW



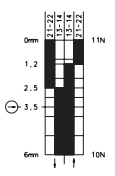
6087352002
ENM2-SU1Z
IW



6087117004
ENM2-U1Z
RIW



6087367005
ENM2-SU1Z
RIW

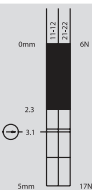


2 NC contacts

6087802003
ENM2-A2Z IW



6087817006
ENM2-A2Z
RIW



2 NO contacts

1 NC / 1 NO contact Overlapping

6087302027
ENM2-UV1Z
IW



Approvals



Replacement actuator: 3918020584

Replacement actuator: 3918170587

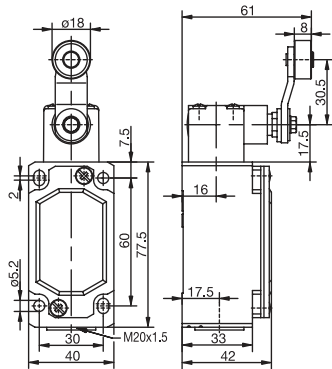
Special features / variants (on request)

- Also available with following contacts:
2 NC / 1 NO with overlap
1 NC / 2 NO with overlap

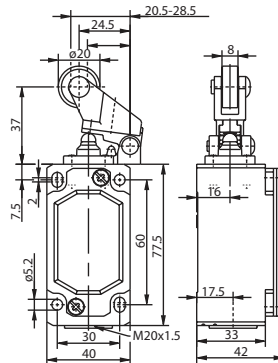
Special features / variants (on request)

- Available with different actuating directions
- High temperature range
- Various roller diameters
- Also available with following contacts:
2 NC / 1 NO with overlap
1 NC / 2 NO with overlap

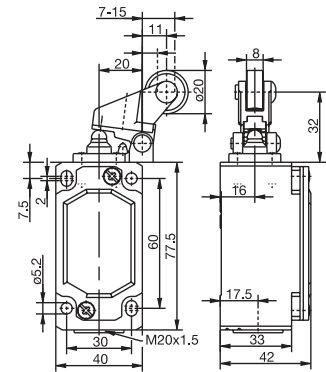
AHS-V (Form A)



DGHW RO20



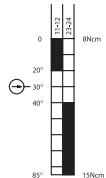
DGKW RO20



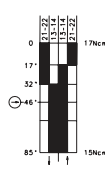
Slow-action

Snap-action

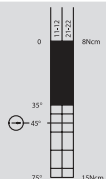
6087135013
ENM2-U1Z
AHS-V



6087385014
ENM2-SU1Z
AHS-V



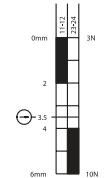
6087835015
ENM2-A2Z
AHS-V



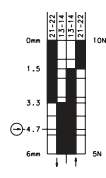
Slow-action

Snap-action

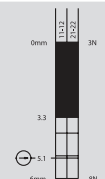
6087121007
ENM2-U1Z
DGHW RO20



6087371008
ENM2-SU1Z
DGHW RO20



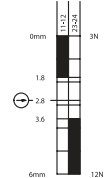
6087821009
ENM2-A2Z
DGHW RO20



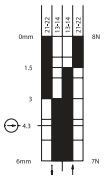
Slow-action

Snap-action

6087127010
ENM2-U1Z
DGKW RO20



6087377011
ENM2-SU1Z
DGKW RO20



Replacement actuator: 3918350729

Replacement actuator: 3918211656

Replacement actuator: 3918271655

Special features / variants
(on request)

- Available with different actuating directions

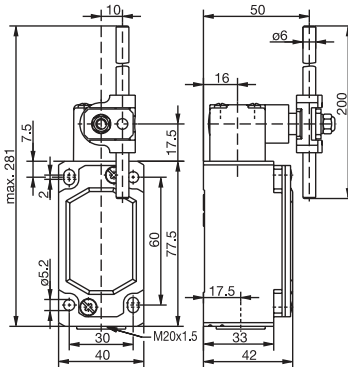
Special features / variants
(on request)

- Available with different actuating directions

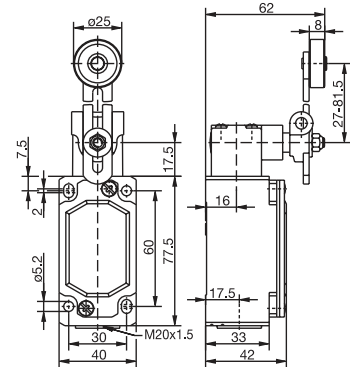
Special features / variants
(on request)

- Available with different actuating directions

AD (Form D)



AV



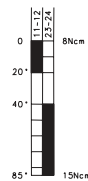
Switching operation

1 NC / 1 NO contact

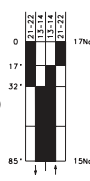
Slow-action

Snap-action

6087137018
ENM2-U1 AD



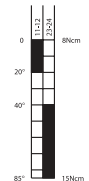
6087387019
ENM2-SU1 AD



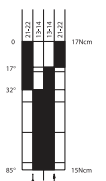
Slow-action

Snap-action

6087136016
ENM2-U1 AV



6087386017
ENM2-SU1 AV

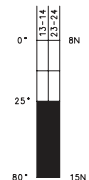


2 NC contacts

2 NO contacts

1 NC / 1 NO contact
Overlapping

6187836060
ENM2-E2 AV



Approvals



Replacement actuator: 3918370731

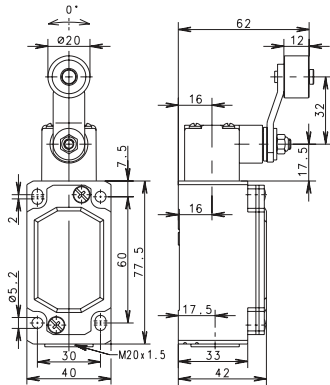
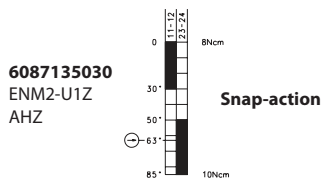
Replacement actuator: 3918360730

Special features / variants (on request)

- Available with various actuator lengths and actuator directions

Special features / variants (on request)

- Available with different actuating directions
- Various roller diameters
- Different lever lengths
- With roller over switch

AHZ

Slow-action


Replacement actuator: –

Special features / variants

- Positively opening action, forward and return AHZ
- For special safety applications, the positive opening action of the normally-closed contacts takes place both in forward (moving in one direction) as well as in return (moving back to home position) direction
- For personal protection applications movement of the roller must be restrained in a guide block in both directions