



IMPACT

Features and Benefits

- Up to eight standard configurations available with Integra's standard EZ hinge or our new Low Profile hinge and either Integra's patented integrated latch or a stainless steel latch.
- Standard Color – light gray with a high gloss finish
- Best material – bases, opaque covers and clear covers are all made of high-impact, UV resistant polycarbonate
- Easy ordering – One part number equals one completely assembled enclosure
- Super easy use – mounting flanges integral, so no extra hardware needed
- Flexible interior Mounting – bosses on rear wall and lid of opaque enclosure provide multiple mounting options for din rail, back panels, or other components
- Advanced face plate mounting system – Brand new completely unique and easy
- Advanced swing panel mounting system – Brand new completely unique and easy
- Secure – Choose your level of protection: pad lockable, tamper screw or tamper tag capable
- Frequency Friendly – Available with absolutely no metals of any kind on the enclosure which is extremely favorable for sending and receiving wireless signals
- UL-50 / c-UL Listed (file # E207562)

Our Impact Line enclosures are the most versatile, feature packed, aesthetically pleasing, Nema UL rated, non-metallic enclosures available. Features like extremely durable, UV resistant, wide temperature range, easy to machine, lighter than other non-metallic or metal materials, the "Made in USA" Impact Line enclosures provide great value to any application.



Mechanical and Thermal	Test Spec.	Unit	Impact Line
Instrumented Dart Impact @ 73° F		in/lb.	565
Falling Ball Impact @ 73° F	UL-746	in/lb.	900
Deflection Temperature @ 264 psi	ASTM D648	Deg. F	270
Modulus of Elasticity	ASTM D790	ksi	340
Temperature Range		Deg. F	-40 to 265
Flammable / UV Ratings	Test Spec.	Unit	Impact Line
Flame Rating - UL	UL 94	-	5VA
Outdoor UV Exposure	UL	-	F1



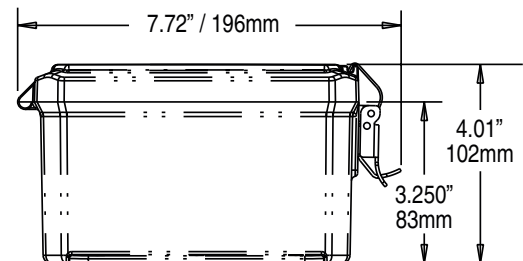
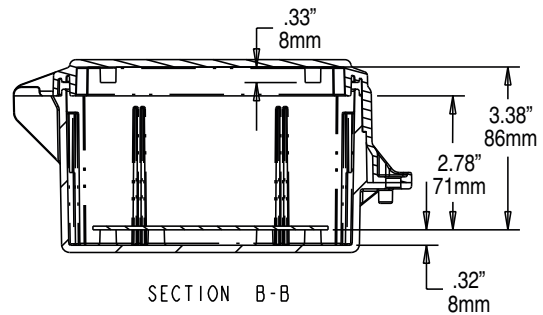
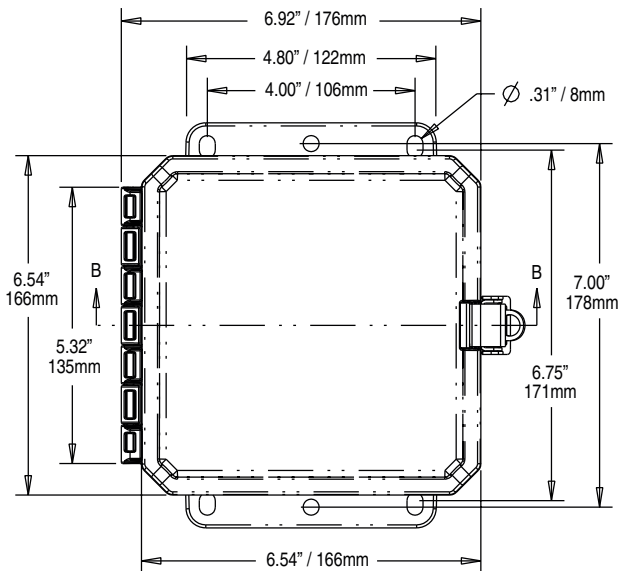
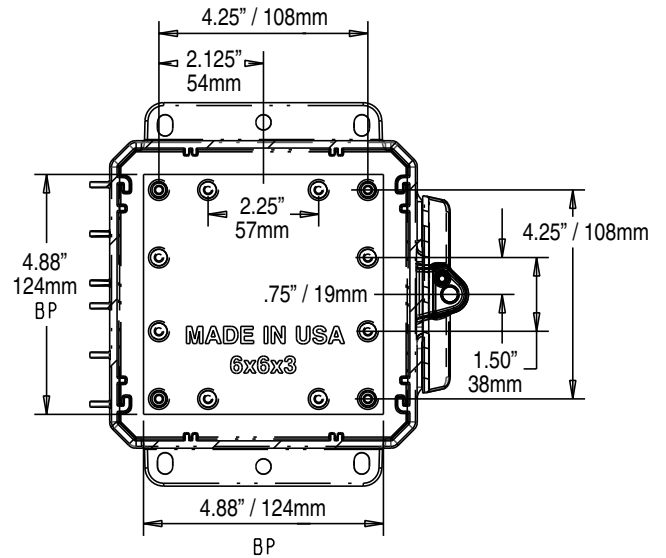
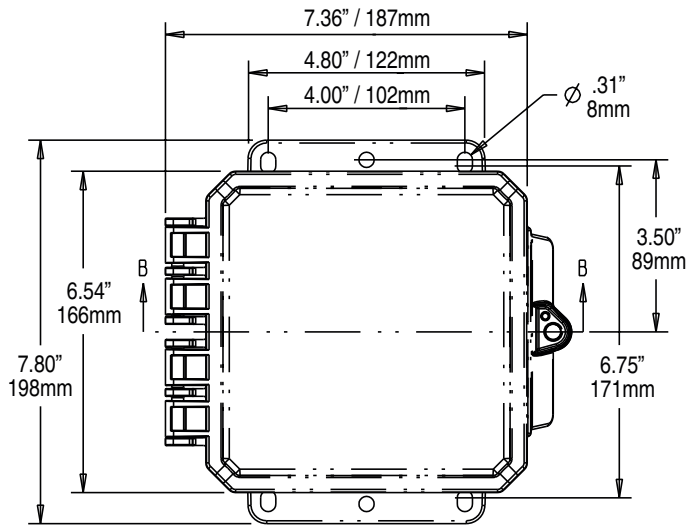
Atex pending contact factory for details

P6063	4X IP66	6P IP68	Clear Cover	Opaque Cover	Integrated Mounting Flange	Standard Hinge	Low Profile Hinge	Integrated Locking Latch	Stainless Steel Locking Latch	PCB Mounting System	Face Plate Mtg System*
P6063	✓	✓		✓	✓	✓		✓		✓	✓
P6063C	✓	✓	✓		✓	✓		✓		✓	✓
P6063LL	✓			✓	✓	✓			✓	✓	✓
P6063CLL	✓		✓		✓	✓			✓	✓	✓
P6063LP	✓	✓		✓	✓		✓	✓		✓	✓
P6063LPC	✓	✓	✓		✓		✓	✓		✓	✓
P6063LPLL	✓			✓	✓		✓		✓	✓	✓
P6063LPCLL	✓		✓		✓		✓		✓	✓	✓

* Sold separately












6X6X3 IMPACT LINE



Register online to download this drawing off the Integra website at www.integraenclosures.com | Your company's logo or other information on the lid. Consult factory for details.

Accessories for 6x6x3 Impact (For complete accessories, see page 52-54)

 <p>Back Panels ABP66-IMP - Aluminum panel SBP66-IMP - Steel panel PVCBP66-IMP - PVC panel</p>	 <p>Aluminum Swing Out System ASWPK66-IMP Aluminum swing panel and SOPK-IMP mounting kit ASWP66-IMP - Aluminum swing panel only SOPK66/86-IMP - 2 Ridgid brackets, 1 pivot bracket & 8 self-tapping screws</p>	 <p>Aluminum Face Plate System AFP66-IMP - Aluminum face plate and SOPK-IMP mounting kit AFP66-IMP - Aluminum face plate only SOPK66/86-IMP - 2 Ridgid brackets, 1 pivot bracket & 8 self-tapping screws</p>
 <p>Air Vents VENT 1 - Aluminum louvered VENT 2 - Outdoor labyrinth</p>	 <p>Steel Swing Out System SSWPK66-IMP Steel swing panel and SOPK-IMP mounting kit SSWP66-IMP - Steel swing panel only SOPK66/86-IMP - 2 Ridgid brackets, 1 pivot bracket & 8 self-tapping screws</p>	 <p>Steel Face Plate System SFPK66-IMP - Steel face plate and SOPK-IMP mounting kit SFP66-IMP - Steel face plate only SOPK66/86-IMP - 2 Ridgid brackets, 1 pivot bracket & 8 self-tapping screws</p>
 <p>Din Rail DIN 6-IMP - 2 rails, 4 screws</p>	 <p>Pole Mounting Kit PMKG-26-IMP - 2" pole PMKG-36-IMP - 3" pole PMKG-46-IMP - 4" pole PMKG-126-IMP - 12" pole</p>	 <p>Cord Grips IP68/NEMA 4X/6P rated See page 54 for more details.</p>



IMPACT

Features and Benefits

- Up to eight standard configurations available with Integra's standard EZ hinge or our new Low Profile hinge and either Integra's patented integrated latch or a stainless steel latch.
- Standard Color – light gray with a high gloss finish
- Best material – bases, opaque covers and clear covers are all made of high-impact, UV resistant polycarbonate
- Easy ordering – One part number equals one completely assembled enclosure
- Super easy use – mounting flanges integral, so no extra hardware needed
- Flexible interior Mounting – bosses on rear wall and lid of opaque enclosure provide multiple mounting options for din rail, back panels, or other components
- Advanced face plate mounting system – Brand new completely unique and easy
- Advanced swing panel mounting system – Brand new completely unique and easy
- Secure – Choose your level of protection: pad lockable, tamper screw or tamper tag capable
- Frequency Friendly – Available with absolutely no metals of any kind on the enclosure which is extremely favorable for sending and receiving wireless signals
- UL-50 / c-UL Listed (file # E207562)

Our Impact Line enclosures are the most versatile, feature packed, aesthetically pleasing, Nema UL rated, non-metallic enclosures available. Features like extremely durable, UV resistant, wide temperature range, easy to machine, lighter than other non-metallic or metal materials, the "Made in USA" Impact Line enclosures provide great value to any application.

Mechanical and Thermal	Test Spec.	Unit	Impact Line
Instrumented Dart Impact @ 73° F		in/lb.	565
Falling Ball Impact @ 73° F	UL-746	in/lb.	900
Deflection Temperature @ 264 psi	ASTM D648	Deg. F	270
Modulus of Elasticity	ASTM D790	ksi	340
Temperature Range		Deg. F	-40 to 265
Flammable / UV Ratings	Test Spec.	Unit	Impact Line
Flame Rating - UL	UL 94	-	5VA
Outdoor UV Exposure	UL	-	F1



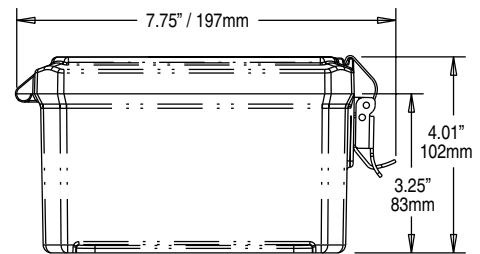
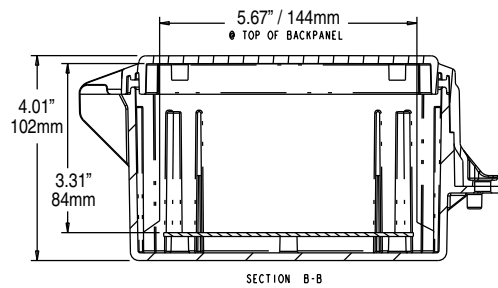
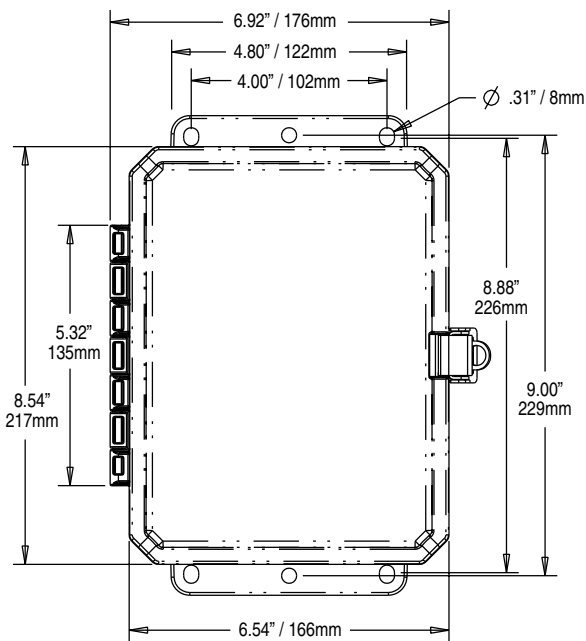
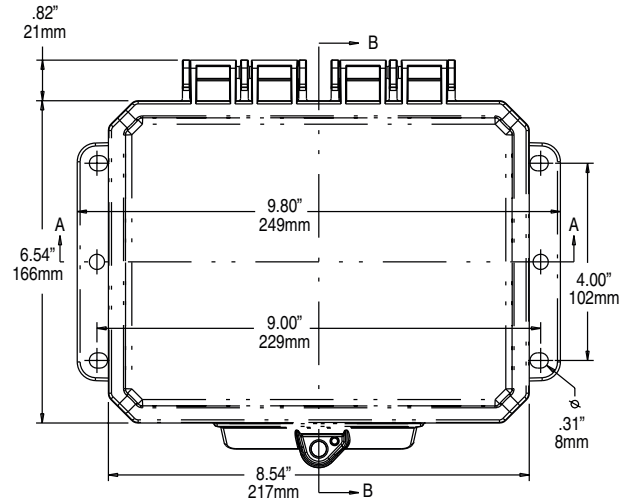
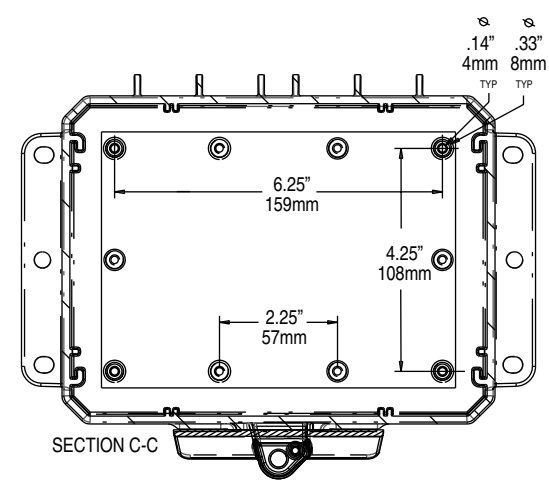
Atex pending contact factory for details

P8063	4X IP66	6P IP68	Clear Cover	Opaque Cover	Integrated Mounting Flange	Standard Hinge	Low Profile Hinge	Integrated Locking Latch	Stainless Steel Locking Latch	PCB Mounting System	Face Plate Mtg System*
P8063	✓	✓		✓	✓	✓		✓		✓	✓
P8063C	✓	✓	✓		✓	✓		✓		✓	✓
P8063LL	✓			✓	✓	✓			✓	✓	✓
P8063CLL	✓		✓		✓	✓			✓	✓	✓
P8063LP	✓	✓		✓	✓		✓	✓		✓	✓
P8063LPC	✓	✓	✓		✓		✓	✓		✓	✓
P8063LPLL	✓			✓	✓		✓		✓	✓	✓
P8063LPCLL	✓		✓		✓		✓		✓	✓	✓

* Sold separately












8X6X3 IMPACT LINE



Register online to download this drawing off the Integra website at www.integraenclosures.com | Your company's logo or other information on the lid. Consult factory for details.

Accessories for 8x6x3 Impact (For complete accessories, see page 52-54)

 <p>Back Panels ABP86-IMP - Aluminum panel SBP86-IMP - Steel panel PVCBP86-IMP - PVC panel</p>	 <p>Aluminum Swing Out System ASWPK86-IMP Aluminum swing panel and SOPK-IMP mounting kit ASWP86-IMP - Aluminum swing panel only SOPK66/86-IMP - 2 Ridgid brackets, 1 pivot bracket & 8 self-tapping screws</p>	 <p>Aluminum Face Plate System FPK86-IMP - Aluminum face plate and SOPK-IMP mounting kit AFP86-IMP - Aluminum face panel only SOPK66/86-IMP - 2 Ridgid brackets, 1 pivot bracket & 8 self-tapping screws</p>
 <p>Air Vents VENT 1 - Aluminum louvered VENT 2 - Outdoor labyrinth</p>	 <p>Steel Swing Out System SSWPK86-IMP Aluminum swing panel and SOPK-IMP mounting kit SSWP86-IMP - Aluminum swing panel only SOPK66/86-IMP - 2 Ridgid brackets, 1 pivot bracket & 8 self-tapping screws</p>	 <p>Steel Face Plate System SFPK86-IMP - Aluminum face plate and SOPK-IMP mounting kit SFP86-IMP - Aluminum face panel only SOPK66/86-IMP - 2 Ridgid brackets, 1 pivot bracket & 8 self-tapping screws</p>
 <p>Din Rail DIN 6-IMP - 2 rails, 4 screws</p>	 <p>Pole Mounting Kit PMKG-26-IMP - 2" pole PMKG-36-IMP - 3" pole PMKG-46-IMP - 4" pole PMKG-126-IMP - 12" pole</p>	 <p>Cord Grips IP68/NEMA 4X/6P rated See page 54 for more details.</p>



IMPACT

Features and Benefits

- Available in two configurations, either clear or opaque lids with Integra's standard EZ Hinge and Integra's patented Integra latch
- Standard Color – light gray with a high gloss finish.
- Best material – bases, opaque covers and clear covers are all made of high-impact, UV resistant polycarbonate
- Easy ordering – One part number equals one completely assembled enclosure
- Super easy use – mounting flanges integral, so no extra hardware needed
- Flexible interior Mounting – bosses on rear wall provide multiple mounting options for din rail, back panels, or other components
- Secure – Choose your level of protection: pad lockable or tamper tag capable
- Frequency Friendly – Available with absolutely no metals of any kind on the enclosure which is extremely favorable for sending and receiving signals
- UL-50 / c-UL Listed (file # E207562)

Our Impact Line enclosures are the most versatile, feature packed, aesthetically pleasing, Nema UL rated, non-metallic enclosures available. Features like extremely durable, UV resistant, wide temperature range, easy to machine, lighter than other non-metallic or metal materials, the "Made in USA" Impact Line enclosures provide great value to any application.

Mechanical and Thermal	Test Spec.	Unit	Impact Line
Instrumented Dart Impact @ 73° F		in/lb.	565
Falling Ball Impact @ 73° F	UL-746	in/lb.	900
Deflection Temperature @ 264 psi	ASTM D648	Deg. F	270
Modulus of Elasticity	ASTM D790	ksi	340
Temperature Range		Deg. F	-40 to 265
Flammable / UV Ratings	Test Spec.	Unit	Impact Line
Flame Rating - UL	UL 94	-	5VA
Outdoor UV Exposure	UL	-	F1



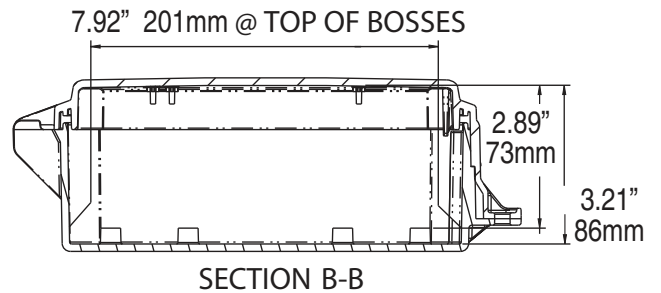
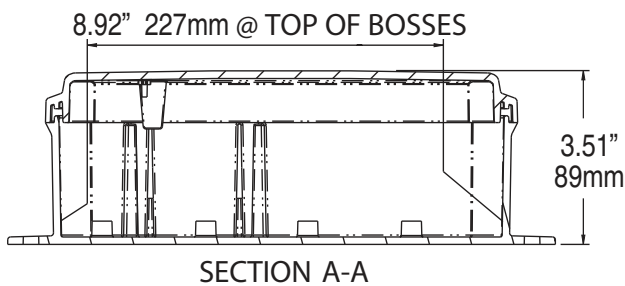
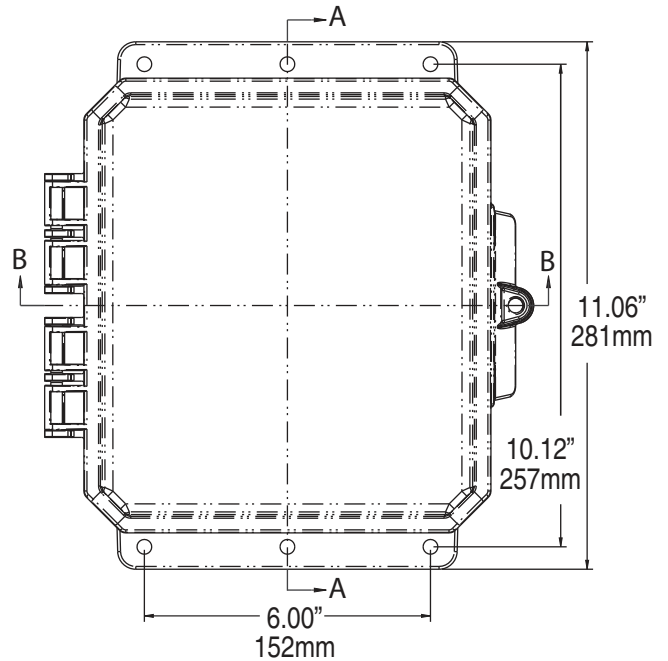
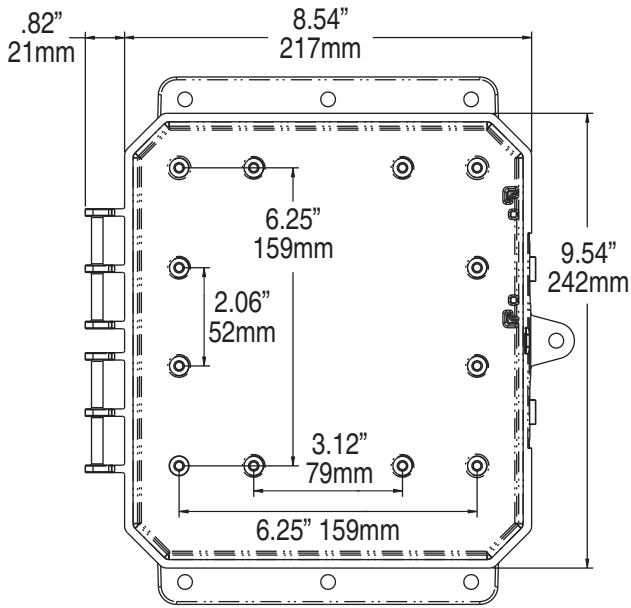
Atex pending, contact factory for details

P9082	4X IP66	6P IP68	Clear Cover	Opaque Cover	Integrated Mounting Flange	Standard Hinge	Low Profile Hinge	Integrated Locking Latch	Stainless Steel Locking Latch	PCB Mounting System	Face Plate Mtg System*
P9082	✓	✓		✓	✓	✓		✓		✓	✓
P9082C	✓	✓	✓		✓	✓		✓		✓	✓

* Sold separately









9X8X2 IMPACT LINE



Register online to download this drawing off the Integra website at www.integraenclosures.com | Your company's logo or other information on the lid. Consult factory for details.

Accessories for 9x8x2 Impact (For complete accessories, see page 52-54)

 <p>Back Panels ABP98-IMP - Aluminum panel SBP98-IMP - Steel panel PVCBP98-IMP - PVC panel</p>	 <p>Din Rail DIN 8 - 2 rails, 4 screws</p>	 <p>Mounting Screws SP-10 - 10 Pieces self-tapping screws for bosses</p>
 <p>Air Vents Vent 1 - Aluminum louvered</p>	 <p>Pole Mounting Kit PMKG-28-IMP - 2" pole PMKG-38-IMP - 3" pole PMKG-48-IMP - 4" pole PMKG-128-IMP - 12" pole</p>	 <p>Cord Grips IP68/NEMA 4X/6P rated See page 54 for more details and part numbers.</p>



IMPACT

Features and Benefits

- Up to eight standard configurations available with Integra's standard EZ hinge or our new Low Profile hinge and either Integra's patented integrated latch or a stainless steel latch.
- Standard Color – light gray with a high gloss finish
- Best material – bases, opaque covers and clear covers are all made of high-impact, UV resistant polycarbonate
- Easy ordering – One part number equals one completely assembled enclosure
- Super easy use – mounting flanges integral, so no extra hardware needed
- Flexible interior Mounting – bosses on rear wall and lid of opaque enclosure provide multiple mounting options for din rail, back panels, or other components
- Advanced face plate mounting system – Brand new completely unique and easy
- Advanced swing panel mounting system – Brand new completely unique and easy
- Secure – Choose your level of protection: pad lockable, tamper screw or tamper tag capable
- Frequency Friendly – Available with absolutely no metals of any kind on the enclosure which is extremely favorable for sending and receiving wireless signals
- UL-50 / c-UL Listed (file # E207562)

Our Impact Line enclosures are the most versatile, feature packed, aesthetically pleasing, Nema UL rated, non-metallic enclosures available. Features like extremely durable, UV resistant, wide temperature range, easy to machine, lighter than other non-metallic or metal materials, the "Made in USA" Impact Line enclosures provide great value to any application.

Mechanical and Thermal	Test Spec.	Unit	Impact Line
Instrumented Dart Impact @ 73° F		in/lb.	565
Falling Ball Impact @ 73° F	UL-746	in/lb.	900
Deflection Temperature @ 264 psi	ASTM D648	Deg. F	270
Modulus of Elasticity	ASTM D790	ksi	340
Temperature Range		Deg. F	-40 to 265

Flammable / UV Ratings	Test Spec.	Unit	Impact Line
Flame Rating - UL	UL 94	-	5VA
Outdoor UV Exposure	UL	-	F1

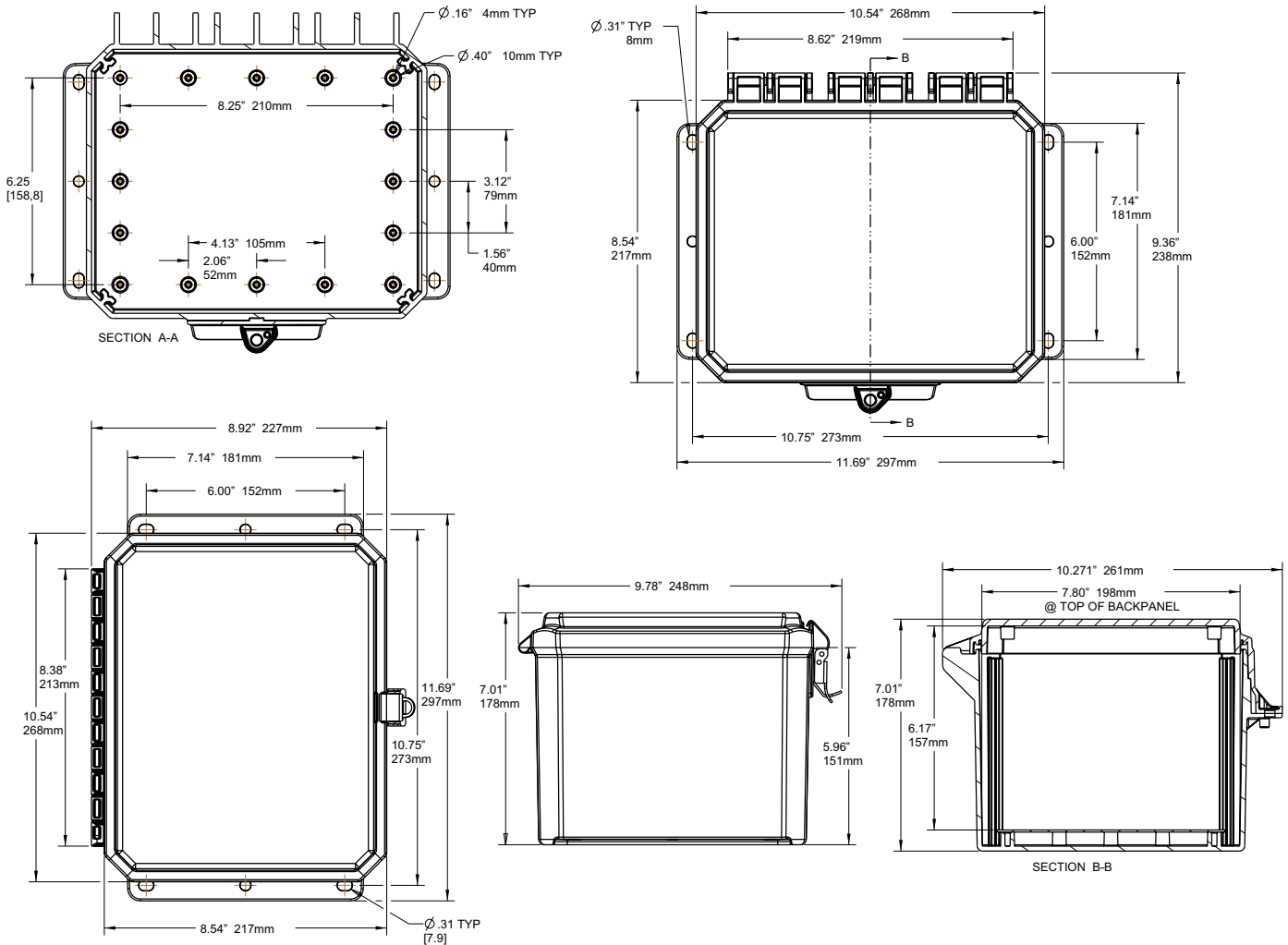


Atex pending contact factory for details

P10086	4X		Clear Cover	Opaque Cover	Integrated Mounting Flange	Standard Hinge	Low Profile Hinge	Integrated Locking Latch	Stainless Steel Locking Latch	PCB Mounting System	T-Rail Mtg System
	IP66	IP68									
P10086	✓	✓		✓	✓	✓		✓		✓	✓
P10086C	✓	✓	✓		✓	✓		✓		✓	✓
P10086LL	✓			✓	✓	✓			✓	✓	✓
P10086CLL	✓		✓		✓	✓			✓	✓	✓
P10086LP	✓	✓		✓	✓		✓	✓		✓	✓
P10086LPC	✓	✓	✓		✓		✓	✓		✓	✓
P10086LPLL	✓			✓	✓		✓		✓	✓	✓
P10086LPCLL	✓		✓		✓		✓		✓	✓	✓












10X8X6 IMPACT LINE



Register online to download this drawing off the Integra website at www.integraenclosures.com | Your company's logo or other information on the lid. Consult factory for details.

Accessories for 10x8x6 Impact (For complete accessories, see page 52-54)

 <p>Back Panels ABP108-IMP - Aluminum panel SBP108-IMP - Steel panel PVCBP108-IMP - PVC panel</p>	 <p>Aluminum Swing Out Panels ABP-108USP/USOPK - Complete panel kit ABP-108USP - Aluminum swing out panels only USOPK - Hardware only</p>	 <p>Back Panel Adjustment Kit BPAKG - Gray, Set Screw BPAKB - Black, Set Screw UBPAKG - Gray, Thumb Screw UBPAKB - Black Thumb Screw</p>
 <p>Air Vents VENT 1 - Aluminum louvered VENT 2 - Outdoor labyrinth</p>	 <p>Steel Swing Out Panels SBP-108USP/USOPK - Complete panel kit SBP-108USP - Steel swing out panels only USOPK - Hardware only</p>	 <p>Mounting Screws SP-8 - 10 Pieces self-tapping screws for bosses</p>
 <p>Din Rail DIN 8-IMP - 2 rails, 4 screws</p>	 <p>Pole Mounting Kit PMKG-28-IMP - 2" pole PMKG-38-IMP - 3" pole PMKG-48-IMP - 4" pole PMKG-128-IMP - 12" pole</p>	 <p>Cord Grips IP68/NEMA 4X/6P rated See page 54 for more details.</p>