

BERNSTEIN
KFMini – Double insulated foot switches

KFMini – Double insulated foot switches

As a perfect addition to our metal body foot switches, this product portfolio impresses with its modern, simple design and its high-quality finish. The shock resistant foot switches made from glass fibre reinforced plastic are suitable for demanding applications up to IP 65.



Technical data

- Enclosure: Thermoplastic (glass fibre-reinforced)
- Actuating element: Thermoplastic (glass fibre-reinforced)
- Ambient temperature: -20 °C to +80 °C
- Protection class: IP 65

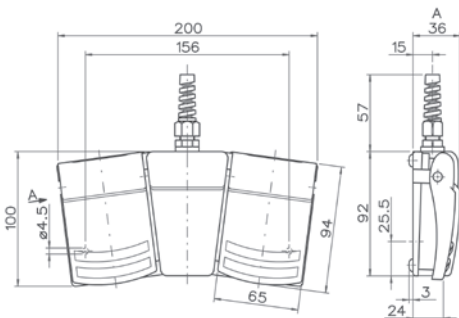
Accessories

- 2 m connecting cable

Product features

- Multiple pedal version are available
- Different colour pedals
 - Black
 - Grey
 - Blue
 - Yellow
 - Red

Other colours are available on request.



Single pedal foot switch F1

Article number	Designation	Switching contacts	Pedal colours
6069100004	KFM1-SU1 SW	1NC / 1NO	black
6069100005	KFM1-SU2 SW	2NC / 2NO	black
6069100008	KFM1-SU1 RT	1NC / 1NO	red
6069100009	KFM1-SU1 BL	1NC / 1NO	blue
6069100010	KFM1-SU1 GE	1NC / 1NO	yellow
6069100012	KFM1-SU1 GR	1NC / 1NO	grey

Double-pedal foot switch F2

Article number	Designation	Switching contacts		Pedal colours
		Pedal 1 (left)	Pedal 2 (right)	
6069200006	KFM2-SU1/SU1 SW	1NC / 1NO	1NC / 1NO	black
6069200007	KFM2-SU2/SU2 SW	2NC / 2NO	2NC / 2NO	black
6069200011	KFM2-SU1/SU1 GEBL	1NC / 1NO	1NC / 1NO	yellow / blue



**Switch systems –
Economy meets safety**



**Sensor systems –
Compact intelligence**



**Enclosures systems –
Function and design**

www.bernstein.eu

Contact

**International Headquarter
BERNSTEIN AG**
Hans-Bernstein-Str. 1
32457 Porta Westfalica
Phone +49 571 793-0
Fax +49 571 793-555
info@de.bernstein.eu
www.bernstein.eu

**Denmark
BERNSTEIN A/S**
Phone +45 7020 0522
Fax +45 7020 0177
info@dk.bernstein.eu

**France
BERNSTEIN S.A.R.L.**
Phone +33 1 64 66 32 50
Fax +33 1 64 66 10 02
info@fr.bernstein.eu

**Italy
BERNSTEIN S.r.l.**
Phone +39 035 4549037
Fax +39 035 4549647
info@it.bernstein.eu

**United Kingdom
BERNSTEIN Ltd**
Phone +44 1922 744999
Fax +44 1922 457555
info@uk.bernstein.eu

**Austria
BERNSTEIN GmbH**
Phone +43 2256 62070-0
Fax +43 2256 62618
info@at.bernstein.eu

**Switzerland
BERNSTEIN (Schweiz) AG**
Phone +41 44 775 71-71
Fax +41 44 775 71-72
info@ch.bernstein.eu

**Hungary
BERNSTEIN Kft.**
Phone +36 1 4342295
Fax +36 1 4342299
info@hu.bernstein.eu

**China
BERNSTEIN Safe Solutions
(Taicang) Co., Ltd.**
Phone +86 512 81608180
Fax +86 512 81608181
info@bernstein-safesolutions.cn