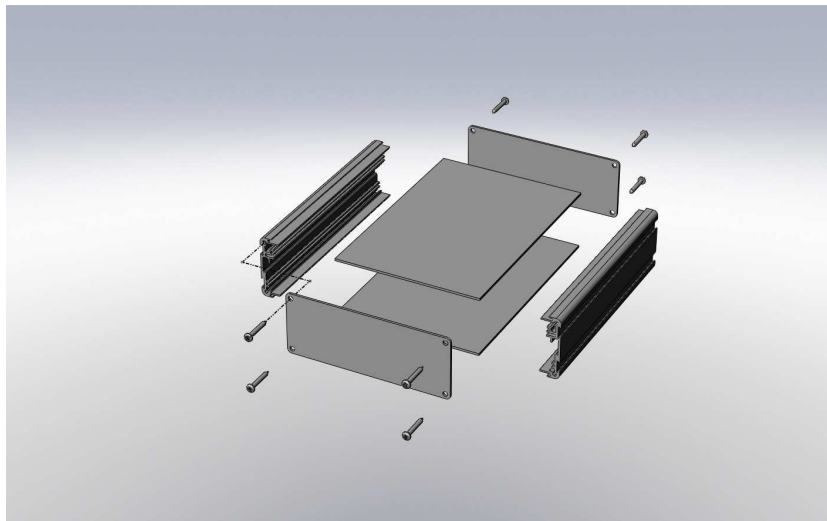


UBES-1

Silver or black anodized combination **extruded and sheet aluminium box** to take circuit boards of width 100mm, 128mm, 160mm and 220mm and lengths of 80mm, 120mm, 160mm and 220mm.

The box comprises a pair of extruded aluminium sides of height **44mm** which accepts an aluminium top and bottom plate to form a box section. Front and rear plates are fixed into the side extrusions to form the enclosure and retain the top and bottom plates. The maximum height of components on a board mounted in the bottom slot is 32mm. The enclosure could be used as a back box for a 1U 19" rack front.

The box was originally designed for a specific application, but some extra flexibility has been incorporated. Internally it features assorted slots and a bracket for optionally holding a standard size hard drive. The outside of the box features a pair of dovetail slots which will accept our wall mounting brackets.



Length Tolerance of extrusion: Nominal length +/-0.3mm e.g. UBES-1-S160 is not shorter than 159.7mm and no longer than 160.3mm.

Non-Standard Sizes: Available.

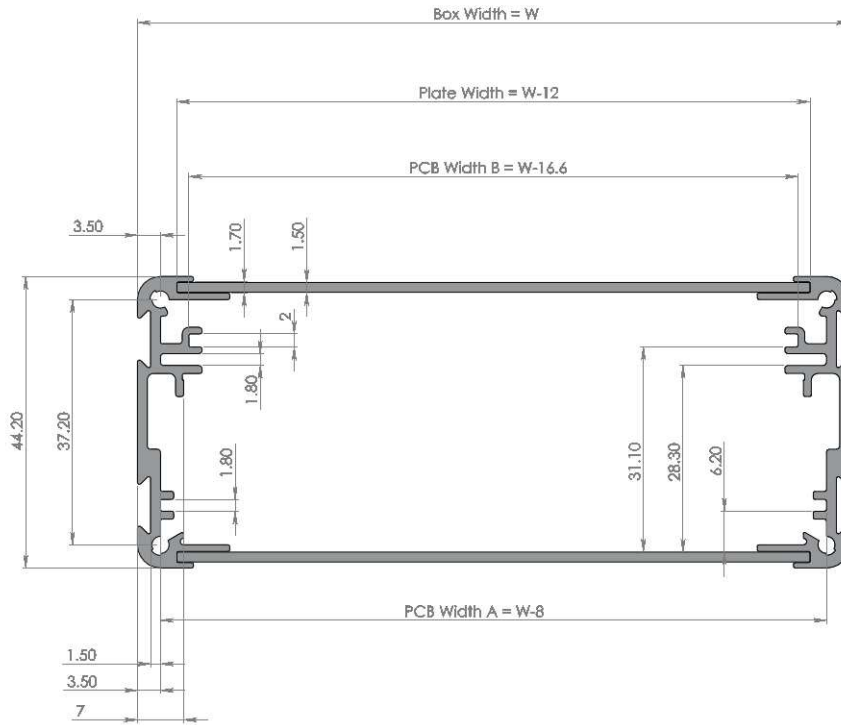
Material of extrusion: Aluminium 6063 T6 (HE9), silver anodized 5µm or black anodized 15µm to BS1615. Linear weight is 0.40 kg/m.

Material of end plate: Aluminium 5251 H22 sheet 1.5mm thick clear anodized 5µm or black anodized 15µm.

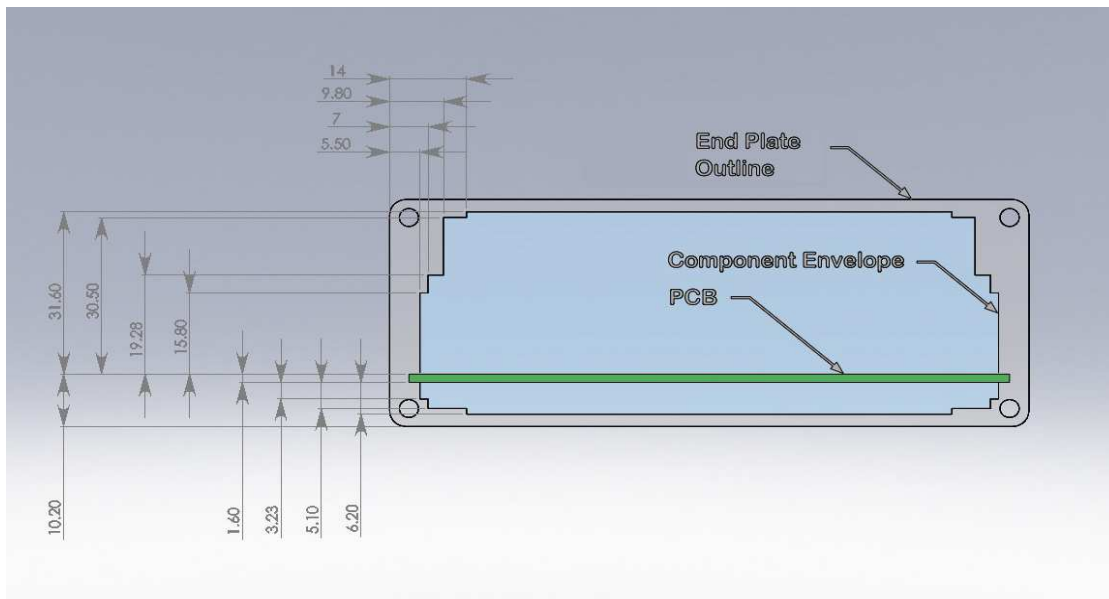
Material of top/bottom plate: Aluminium 5251 H22 sheet 1.5mm thick clear anodized 5µm or black anodized 15µm.

Screw ports: Nominal diameter 2.7mm to take a No.4 self-tapping screw with a 3.0mm major diameter of a type normally used for plastic. The screw ports can be threaded M3 using a thread-rolling tap, but a thread cutting tap will make a weak thread. Alternatively an M3 thread-forming screw can be used to roll its own thread.

UBES-1 Dimensions:



UBES-1 Envelope Drawing:



UBES-1 Order Codes:

PCB size mm	Box Width	Extrusion Length	Order Code Black	Order Code Silver
100 x 80	108	80	UBES-1-B108x080	UBES-1-S108x080
100 x 120	108	120	UBES-1-B108x120	UBES-1-S108x120
100 x 160	108	160	UBES-1-B108x160	UBES-1-S108x160
100 x 220	108	220	UBES-1-B108x220	UBES-1-S108x220
128 x 80	136	80	UBES-1-B136x080	UBES-1-S136x080
128 x 120	136	120	UBES-1-B136x120	UBES-1-S136x120
128 x 160	136	160	UBES-1-B136x160	UBES-1-S136x160
128 x 220	136	220	UBES-1-B136x220	UBES-1-S136x220
160 x 80	168	80	UBES-1-B168x080	UBES-1-S168x080
160 x 120	168	120	UBES-1-B168x120	UBES-1-S168x120
160 x 160	168	160	UBES-1-B168x160	UBES-1-S168x160
160 x 220	168	220	UBES-1-B168x220	UBES-1-S168x220
220 x 80	228	80	UBES-1-B228x080	UBES-1-S228x080
220 x 120	228	120	UBES-1-B228x120	UBES-1-S228x120
220 x 160	228	160	UBES-1-B228x160	UBES-1-S228x160

Box comprises (all items silver or black):

2x End plates, Top Plate and Bottom Plate, 2x UBES-1 extrusions, 8x screws.

Screws – 3.0x 10 Posi-pan head self-tapping screws type AB:

Accessories

Natural aluminium carrier plates the same size as standard circuit boards to slide in the enclosures and be adapted to carry non-standard circuit boards and other fittings. These are simple rectangles of aluminium sheet 1.5mm thick for internal use (i.e. surface finish may not be perfect). MF-S40 and MF-S80 (silver) or MF-B40 and MF-B80 (black) wall mounting brackets will fit in the dovetail slots.

Carrier size mm	Order Code
100 x 80	NACP-100080
100 x 120	NACP-100120
100 x 160	NACP-100160
100 x 220	NACP-100220
128 x 80	NACP-128080
128 x 120	NACP-128120
128 x 160	NACP-128160
128 x 220	NACP-128220
160 x 80	NACP-160080
160 x 120	NACP-160120
160 x 160	NACP-160160
160 x 220	NACP-160220
220 x 80	NACP-220080
220 x 120	NACP-220120

NACP-160220 can be used width ways or length ways

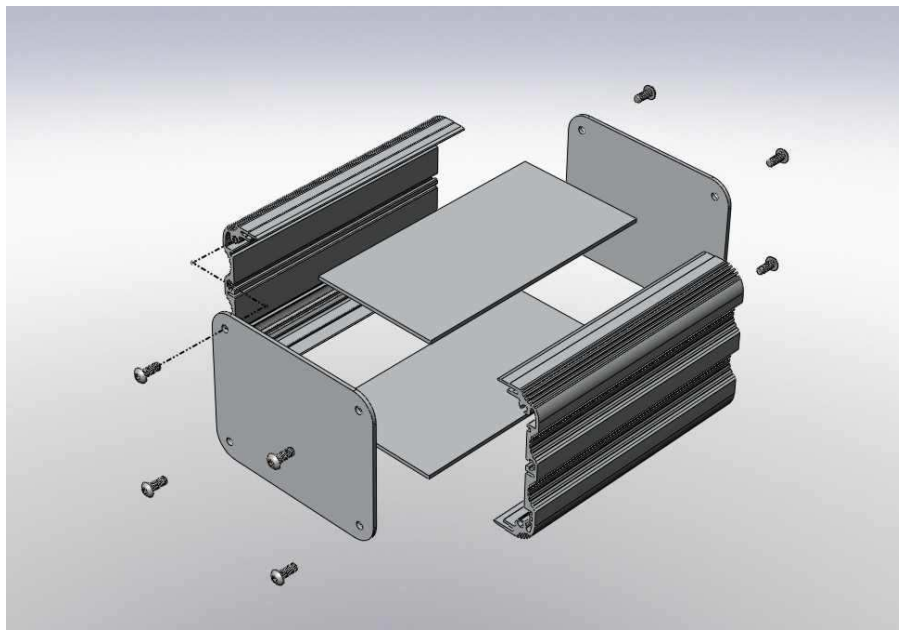
TORX™ is a trademark of Textron Inc. Product and data subject to change without notice. User knows application and must determine fitness for purpose and appropriateness of advice verbal or written. See terms and conditions of sale.

UBES-2

Silver or black anodized combination **extruded and sheet aluminium box** to take circuit boards of width 100mm, 128mm, 160mm and 220mm and lengths of 80mm, 120mm, 160mm and 220mm.

The box comprises a pair of extruded aluminium sides of height **82mm** which accepts an aluminium top and bottom plate to form a box section. Front and rear plates are fixed into the side extrusions using self-tapping screws to form the enclosure and retain the top and bottom plates. The maximum height of components on a board mounted in the bottom slot is 55mm. The enclosure could be used as a back box for a 2U 19" rack front.

The box features plenty of height relative to its width and is suitable for higher components like transformers, or will have space for pcb mounted daughter boards or additional boards mounted in the extra slots. The outside of the box features a decorative ribbed pattern which is a UK registered design.



Length Tolerance of extrusion: Nominal length +/-0.3mm e.g. UBES-2-S160 is not shorter than 159.7mm and no longer than 160.3mm.

Non-Standard Sizes: Available.

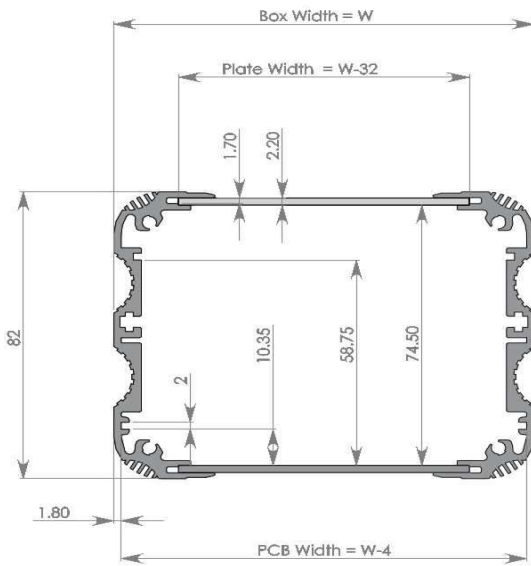
Material of extrusion: Aluminium 6063 T6 (HE9), silver anodized 5µm or black anodized 15µm to BS1615. Linear weight is 1.0 kg/m

Material of end plate: Aluminium 5251 H22 sheet 1.5mm thick clear anodized 5µm or 2mm thick black anodized 15µm.

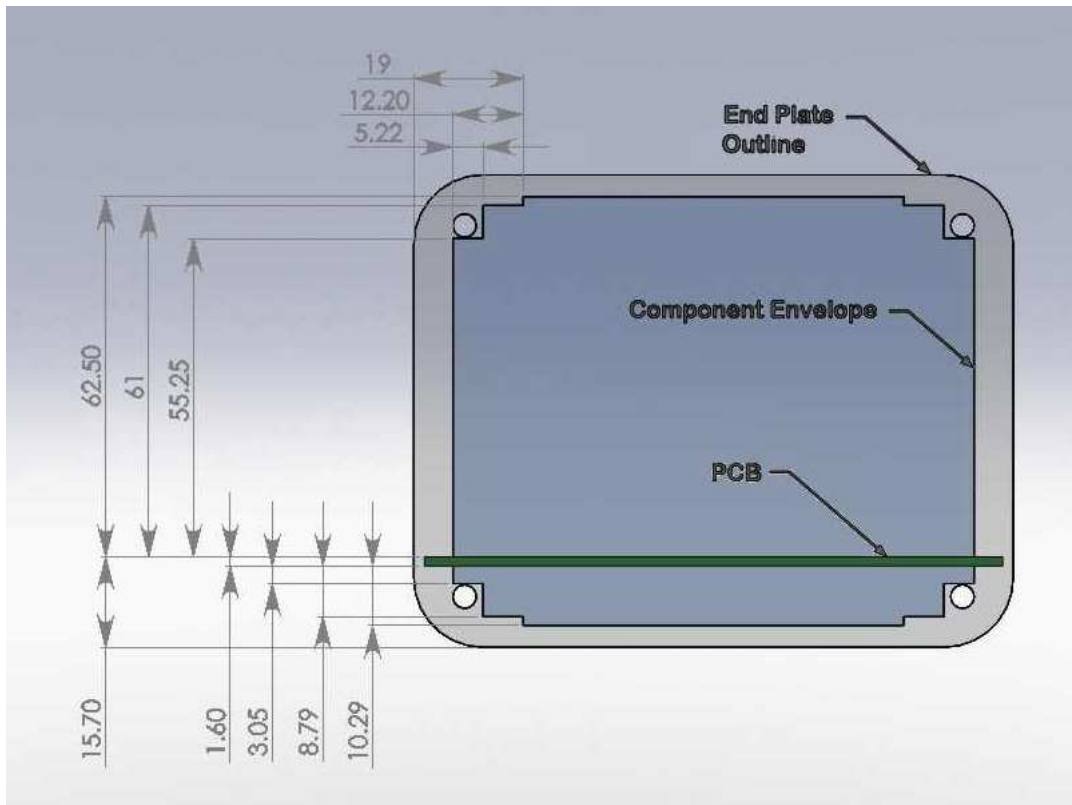
Material of top/bottom plate: Aluminium 5251 H22 sheet 2mm thick clear anodized 5µm or black anodized 15µm.

Screw ports: Nominal diameter 3.6mm to take a No.6 self-tapping screw with a 4.2mm major diameter of a type normally used for plastic. The screw ports can be threaded M4 using a thread-rolling tap, but a thread cutting tap will make a weak thread. Alternatively an M4 thread-forming screw can be used to roll its own thread.

UBES-2 Dimensions:



UBES-2 Envelope Drawing



UBES-2 Order Codes:

PCB size mm	Box Width	Extrusion Length	Order Code Black	Order Code Silver
100 x 80	104	80	UBES-2-B104x080	UBES-2-S104x080
100 x 120	104	120	UBES-2-B104x120	UBES-2-S104x120
100 x 160	104	160	UBES-2-B104x160	UBES-2-S104x160
100 x 220	104	220	UBES-2-B104x220	UBES-2-S104x220
128 x 80	132	80	UBES-2-B132x080	UBES-2-S132x080
128 x 120	132	120	UBES-2-B132x120	UBES-2-S132x120
128 x 160	132	160	UBES-2-B132x160	UBES-2-S132x160
128 x 220	132	220	UBES-2-B132x220	UBES-2-S132x220
160 x 80	164	80	UBES-2-B164x080	UBES-2-S164x080
160 x 120	164	120	UBES-2-B164x120	UBES-2-S164x120
160 x 160	164	160	UBES-2-B164x160	UBES-2-S164x160
160 x 220	164	220	UBES-2-B164x220	UBES-2-S164x220
220 x 80	224	80	UBES-2-B224x080	UBES-2-S224x080
220 x 120	224	120	UBES-2-B224x120	UBES-2-S224x120
220 x 160	224	160	UBES-2-B224x160	UBES-2-S224x160

Box comprises (all items silver or black):

2 x End plates, Top Plate and Bottom Plate, 2 x UBES-2 extrusions, 8 x screws.

Screws – 4.2mm x 13 TORX pan head self-tapping screws type AB:

Accessories

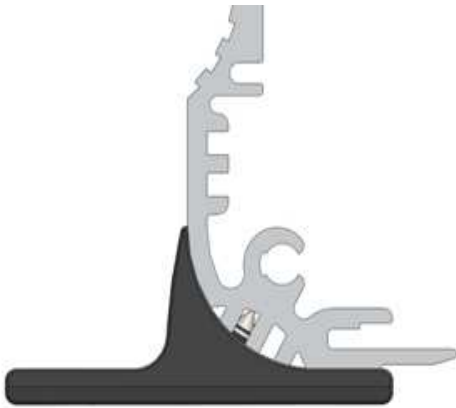
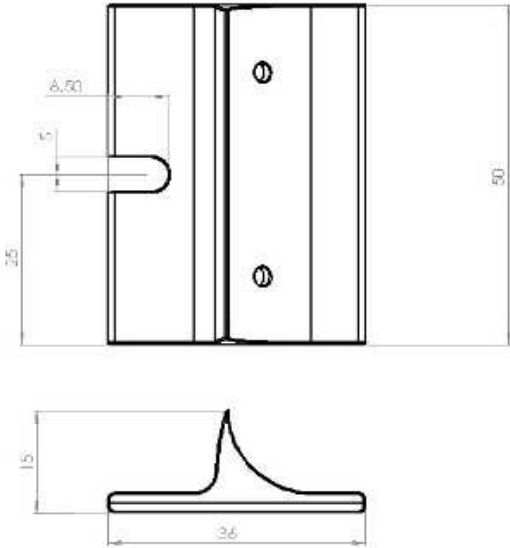
Natural aluminium carrier plates the same size as standard circuit boards to slide in the enclosures and be adapted to carry non-standard circuit boards and other fittings. These are simple rectangles of aluminium sheet 1.5mm thick for internal use (i.e. surface finish may not be perfect).

Carrier size mm	Order Code
100 x 80	NACP-100080
100 x 120	NACP-100120
100 x 160	NACP-100160
100 x 220	NACP-100220
128 x 80	NACP-128080
128 x 120	NACP-128120
128 x 160	NACP-128160
128 x 220	NACP-128220
160 x 80	NACP-160080
160 x 120	NACP-160120
160 x 160	NACP-160160
160 x 220	NACP-160220
220 x 80	NACP-220080
220 x 120	NACP-220120

NACP-160220 can be used width ways or length ways.

Accessories contd.

Universal UBES mounting lug length 50mm in black ABS plastic. **Order Code: UBES-ML50.** Two are required (one each side) for the 80mm long enclosure and either two or four for longer enclosures as desired. The lug fits round the curve of the UBES extrusion and is fixed into the decorative fin feature by two concealed self-tapping screws.



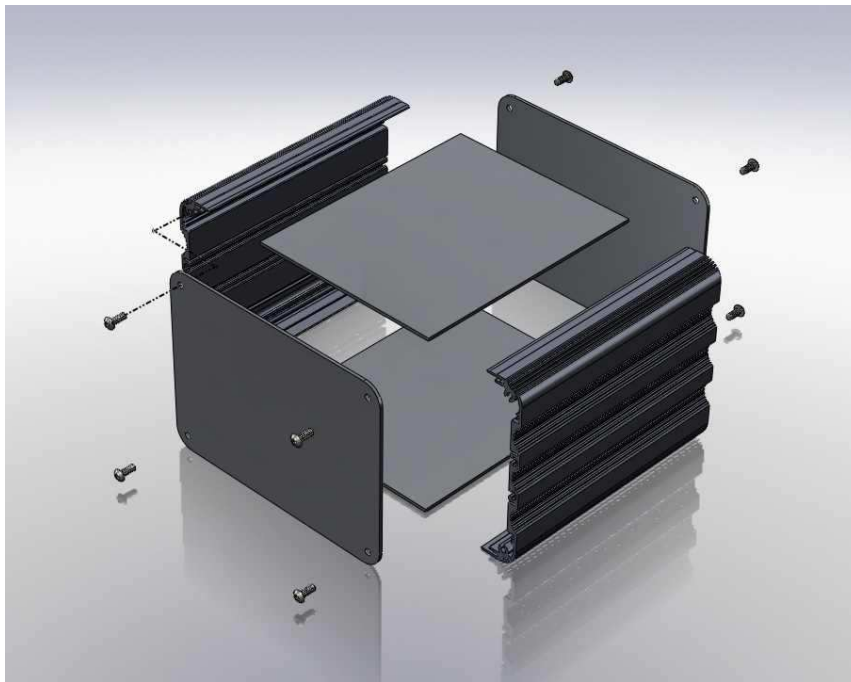
TORX™ is a trademark of Textron Inc. Product and data subject to change without notice. User knows application and must determine fitness for purpose and appropriateness of advice verbal or written. See terms and conditions of sale.

UBES-3

Silver or black anodized combination **extruded and sheet aluminium box** to take circuit boards of width 100mm, 128mm, 160mm and 220mm and length 80mm, 120mm, 160mm and 220mm.

The box comprises a pair of extruded aluminium sides of height **120mm** which accepts an aluminium top and bottom plate to form a box section. Front and rear plates are fixed into the side extrusions with self-tapping screws to form the enclosure and retain the top and bottom plates. The maximum height of components on a board mounted in the bottom slot is 95mm. The enclosure could be used as a back box for a 3U 19" rack front.

The box features plenty of height relative to its width and is suitable for higher components like transformers, or will have space for pcb mounted daughter boards or additional boards mounted in the extra slots. The outside of the box features a decorative ribbed pattern which is a UK registered design.



Length Tolerance of extrusion: Nominal length +/-0.3mm e.g. UBES-3-S160 is not shorter than 159.7mm and no longer than 160.3mm.

Non-Standard Sizes: Available.

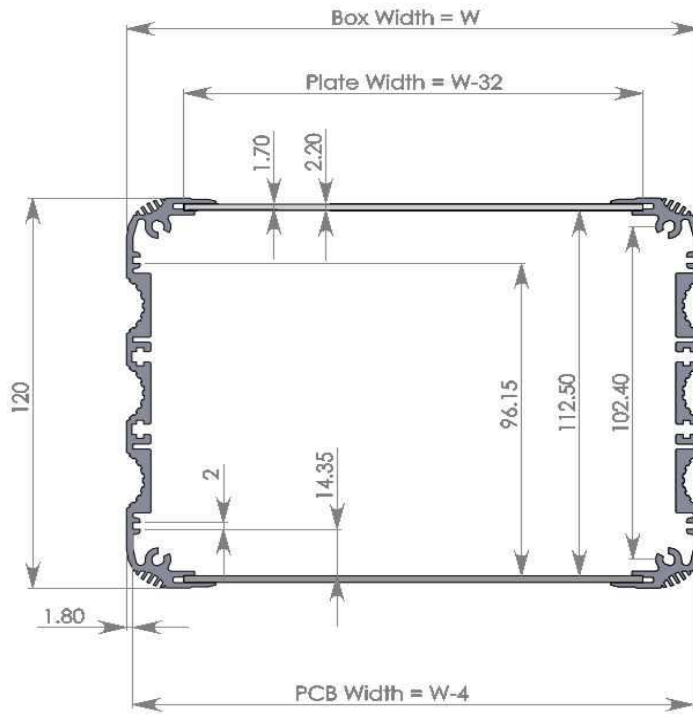
Material of extrusion: Aluminium 6063 T6 (HE9), silver anodized 5µm or black anodized 15µm to BS1615. Linear weight is 1.40 kg/m.

Material of end plate: Aluminium 5251 H22 sheet 1.5mm thick clear anodized 5µm or 2mm thick black anodized 15µm.

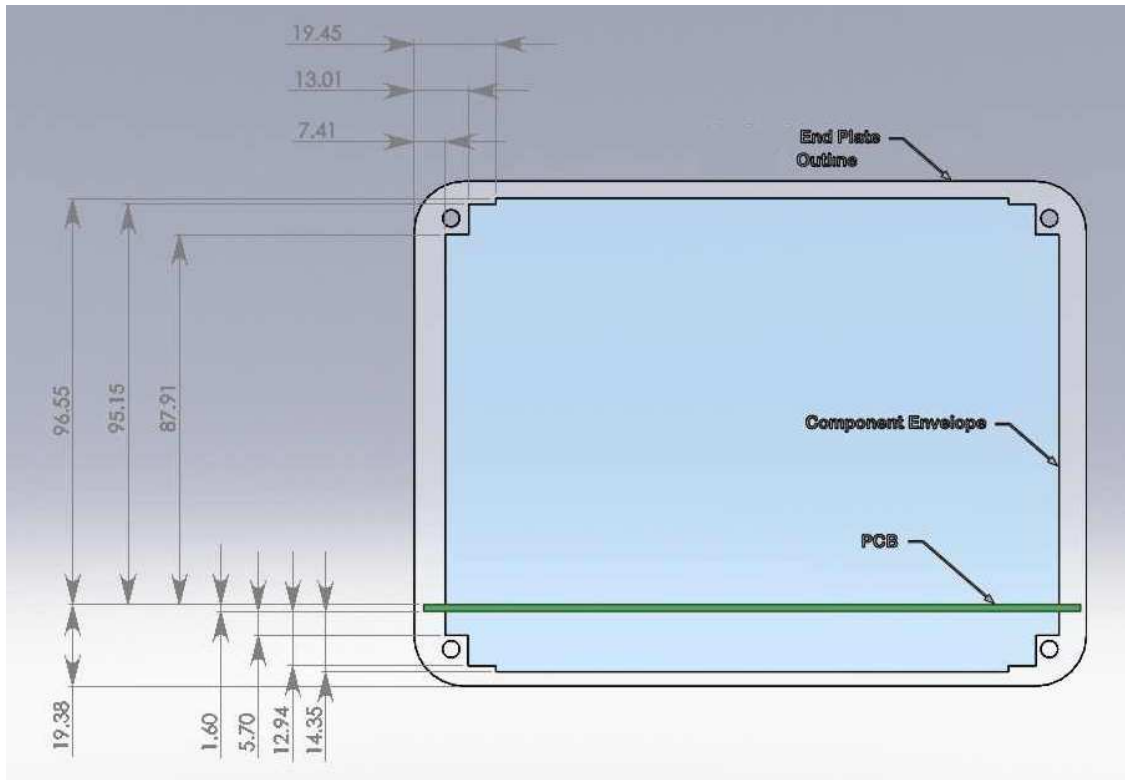
Material of top/bottom plate: Aluminium 5251 H22 sheet 2mm thick clear anodized 5µm or black anodized 15µm.

Screw ports: Nominal diameter 3.6mm to take a No.6 self-tapping screw with a 4.2mm major diameter of a type normally used for plastic. The screw ports can be threaded M4 using a thread-rolling tap, but a thread cutting tap will make a weak thread. Alternatively an M4 thread-forming screw can be used to roll its own thread.

UBES-3 Dimensions:



UBES-3 Envelope Drawing



UBES-3 Order Codes:

PCB size mm	Box Width	Extrusion Length	Order Code Black	Order Code Silver
100 x 80	104	80	UBES-3-B104x080	UBES-3-S104x080
100 x 120	104	120	UBES-3-B104x120	UBES-3-S104x120
100 x 160	104	160	UBES-3-B104x160	UBES-3-S104x160
100 x 220	104	220	UBES-3-B104x220	UBES-3-S104x220
128 x 80	132	80	UBES-3-B132x080	UBES-3-S132x080
128 x 120	132	120	UBES-3-B132x120	UBES-3-S132x120
128 x 160	132	160	UBES-3-B132x160	UBES-3-S132x160
128 x 220	132	220	UBES-3-B132x220	UBES-3-S132x220
160 x 80	160	80	UBES-3-B164x080	UBES-3-S164x080
160 x 120	160	120	UBES-3-B164x120	UBES-3-S164x120
160 x 160	160	160	UBES-3-B164x160	UBES-3-S164x160
160 x 220	160	220	UBES-3-B164x220	UBES-3-S164x220
220 x 80	220	80	UBES-3-B224x080	UBES-3-S224x080
220 x 120	220	120	UBES-3-B224x120	UBES-3-S224x120
220 x 160	220	160	UBES-3-B224x160	UBES-3-S224x160

Box comprises (all items silver or black):

2x End plates, Top Plate and Bottom Plate, 2x UBES-3 extrusions, 8x screws.

Screws – 4.2mm x 13 TORX pan head self-tapping screws type AB:

Accessories

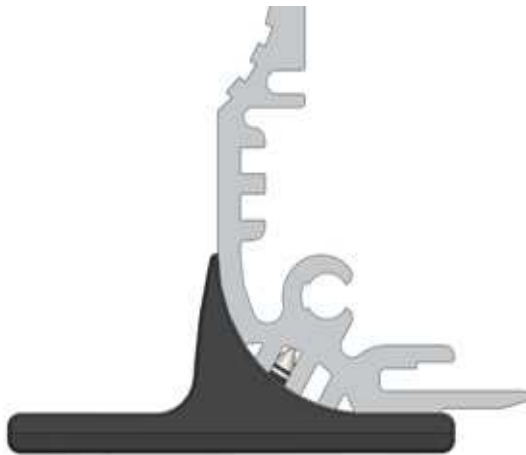
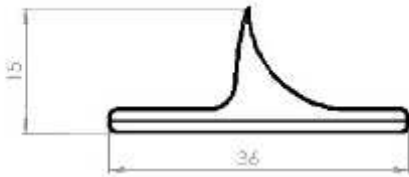
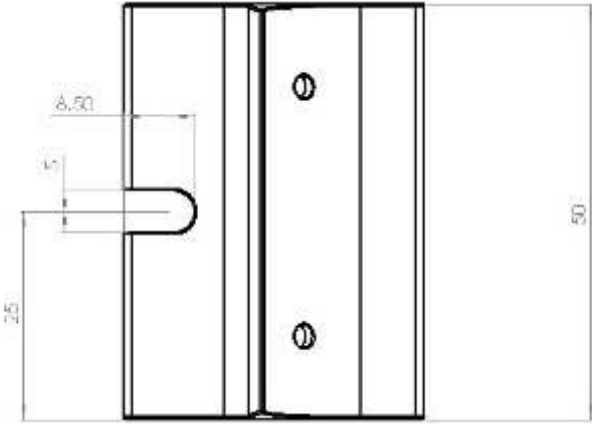
Natural aluminium carrier plates the same size as standard circuit boards to slide in the enclosures and be adapted to carry non-standard circuit boards and other fittings. These are simple rectangles of aluminium sheet 1.5mm thick for internal use (i.e. surface finish may not be perfect).

Carrier size mm	Order Code
100 x 80	NACP-100080
100 x 120	NACP-100120
100 x 160	NACP-100160
100 x 220	NACP-100220
128 x 80	NACP-128080
128 x 120	NACP-128120
128 x 160	NACP-128160
128 x 220	NACP-128220
160 x 80	NACP-160080
160 x 120	NACP-160120
160 x 160	NACP-160160
160 x 220	NACP-160220
220 x 80	NACP-220080
220 x 120	NACP-220120

NACP-160220 can be used width ways or length ways.

Accessories contd.

Universal UBES mounting lug length 50mm in black ABS plastic. **Order Code: UBES-ML50.** Two are required (one each side) for the 80mm long enclosure and either two or four for longer enclosures as desired. The lug fits round the curve of the UBES extrusion and is fixed into the decorative fin feature by two concealed self-tapping screws.



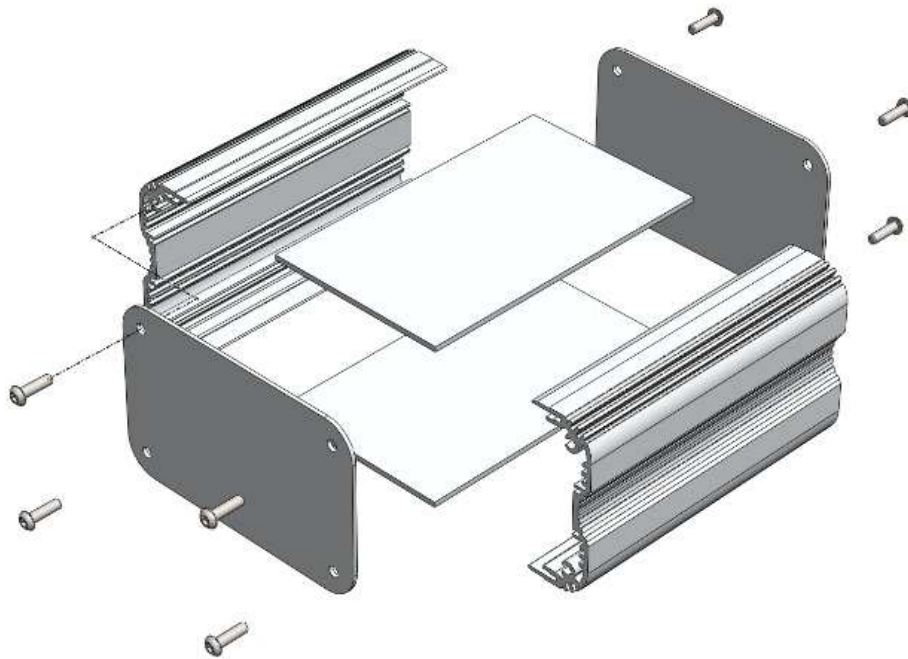
TORX™ is a trademark of Textron Inc. Product and data subject to change without notice. User knows application and must determine fitness for purpose and appropriateness of advice verbal or written. See terms and conditions of sale.

UBES-66

Silver or black anodized combination **extruded and sheet aluminium box** to take circuit boards of width 100mm, 128mm, 160mm and 220mm and length 80mm, 120mm, 160mm and 220mm.

The box comprises a pair of extruded aluminium sides of height **66mm** which accepts an aluminium top and bottom plate to form a box section. Front and rear plates are fixed into the side extrusions using self-tapping screws to form the enclosure and retain the top and bottom plates. The maximum height of components on a board mounted in the bottom slot is 45mm.

The box features plenty of height relative to its width and is suitable for higher components like transformers, or will have space for pcb mounted daughter boards or additional boards mounted in the extra slots. The outside of the box features a decorative ribbed pattern which is a UK registered design.



Length Tolerance of extrusion: Nominal length +/-0.3mm e.g. UBES-66-S160 is not shorter than 159.7mm and no longer than 160.3mm.

Non-Standard Sizes: Available.

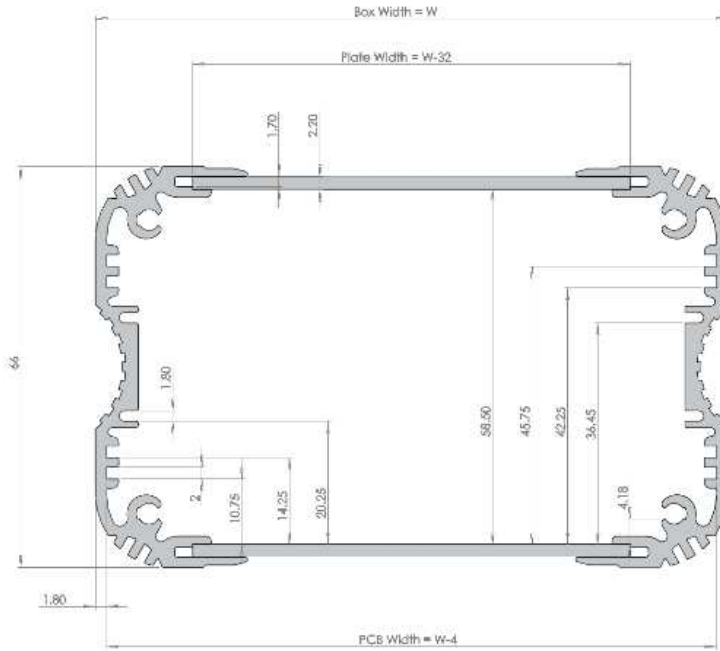
Material of extrusion: Aluminium 6063 T6 (HE9), silver anodized 5µm or black anodized 15µm to BS1615. Linear weight is 0.80 kg/m

Material of end plate: Aluminium 5251 H22 sheet 1.5mm thick clear anodized 5µm or 2mm thick black anodized 15µm.

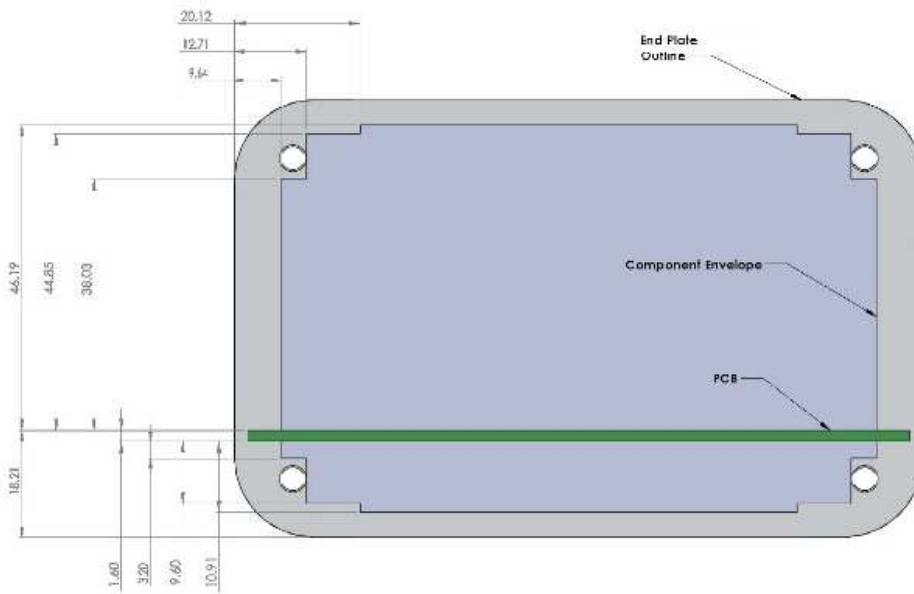
Material of top/bottom plate: Aluminium 5251 H22 sheet 2mm thick clear anodized 5µm or black anodized 15µm.

Screw ports: Nominal diameter 3.6mm to take a No.6 self-tapping screw with a 4.2mm major diameter of a type normally used for plastic. The screw ports can be threaded M4 using a thread-rolling tap, but a thread cutting tap will make a weak thread. Alternatively an M4 thread-forming screw can be used to roll its own thread.

UBES-66 Dimensions:



UBES-66 Envelope Drawing



UBES-66 Order Codes:

PCB size mm	Box Width	Extrusion Length	Order Code Black	Order Code Silver
100 x 80	104	80	UBES-66-B104x080	UBES-66-S104x080
100 x 120	104	120	UBES-66-B104x120	UBES-66-S104x120
100 x 160	104	160	UBES-66-B104x160	UBES-66-S104x160
100 x 220	104	220	UBES-66-B104x220	UBES-66-S104x220
128 x 80	132	80	UBES-66-B132x080	UBES-66-S132x080
128 x 120	132	120	UBES-66-B132x120	UBES-66-S132x120
128 x 160	132	160	UBES-66-B132x160	UBES-66-S132x160
128 x 220	132	220	UBES-66-B132x220	UBES-66-S132x220
160 x 80	164	80	UBES-66-B164x080	UBES-66-S164x080
160 x 120	164	120	UBES-66-B164x120	UBES-66-S164x120
160 x 160	164	160	UBES-66-B164x160	UBES-66-S164x160
160 x 220	164	220	UBES-66-B164x220	UBES-66-S164x220
220 x 80	224	80	UBES-66-B224x080	UBES-66-S224x080
220 x 120	224	120	UBES-66-B224x120	UBES-66-S224x120
220 x 160	224	160	UBES-66-B224x160	UBES-66-S224x160

Box comprises (all items silver or black):

2x End plates, Top Plate and Bottom Plate, 2x UBES-66 extrusions, 8x screws.

Screws – 4.2mm x 13 TORX pan head self-tapping screws type AB:

Accessories

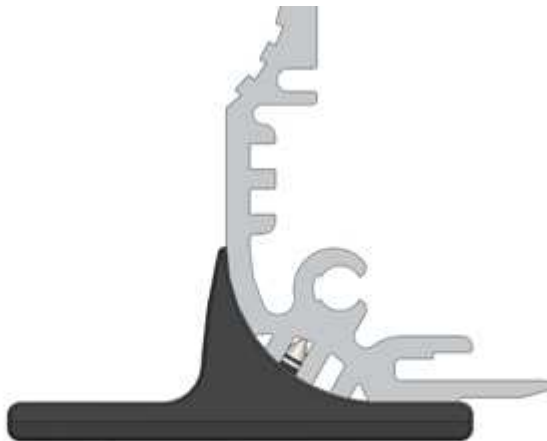
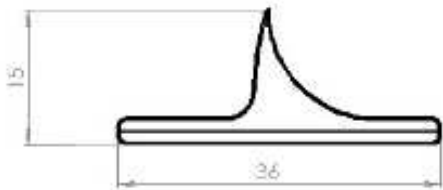
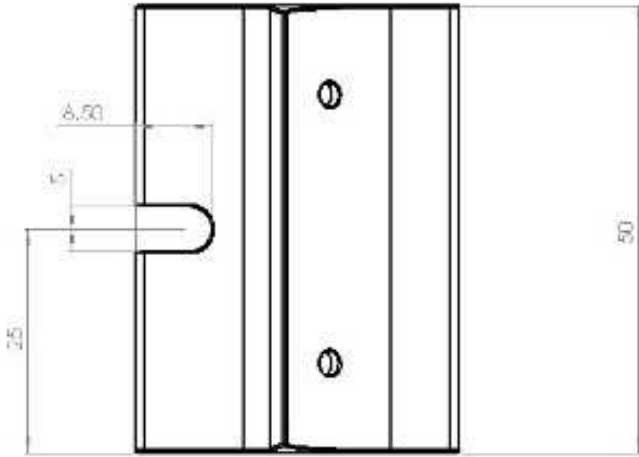
Natural aluminium carrier plates the same size as standard circuit boards to slide in the enclosures and be adapted to carry non-standard circuit boards and other fittings. These are simple rectangles of aluminium sheet 1.5mm thick for internal use (i.e. surface finish may not be perfect). Custom carrier plates can also be supplied.

Carrier size mm	Order Code
100 x 80	NACP-100080
100 x 120	NACP-100120
100 x 160	NACP-100160
100 x 220	NACP-100220
128 x 80	NACP-128080
128 x 120	NACP-128120
128 x 160	NACP-128160
128 x 220	NACP-128220
160 x 80	NACP-160080
160 x 120	NACP-160120
160 x 160	NACP-160160
160 x 220	NACP-160220
220 x 80	NACP-220080
220 x 120	NACP-220120

NACP-160220 can be used width ways or length ways.

Accessories contd.

Universal UBES mounting lug length 50mm in black ABS plastic. **Order Code: UBES-ML50.** Two are required (one each side) for the 80mm long enclosure and either two or four for longer enclosures as desired. The lug fits round the curve of the UBES extrusion and is fixed into the decorative fin feature by two concealed self-tapping screws. It weighs 8g.



TORX™ is a trademark of Textron Inc. Product and data subject to change without notice. User knows application and must determine fitness for purpose and appropriateness of advice verbal or written. See terms and conditions of sale.