



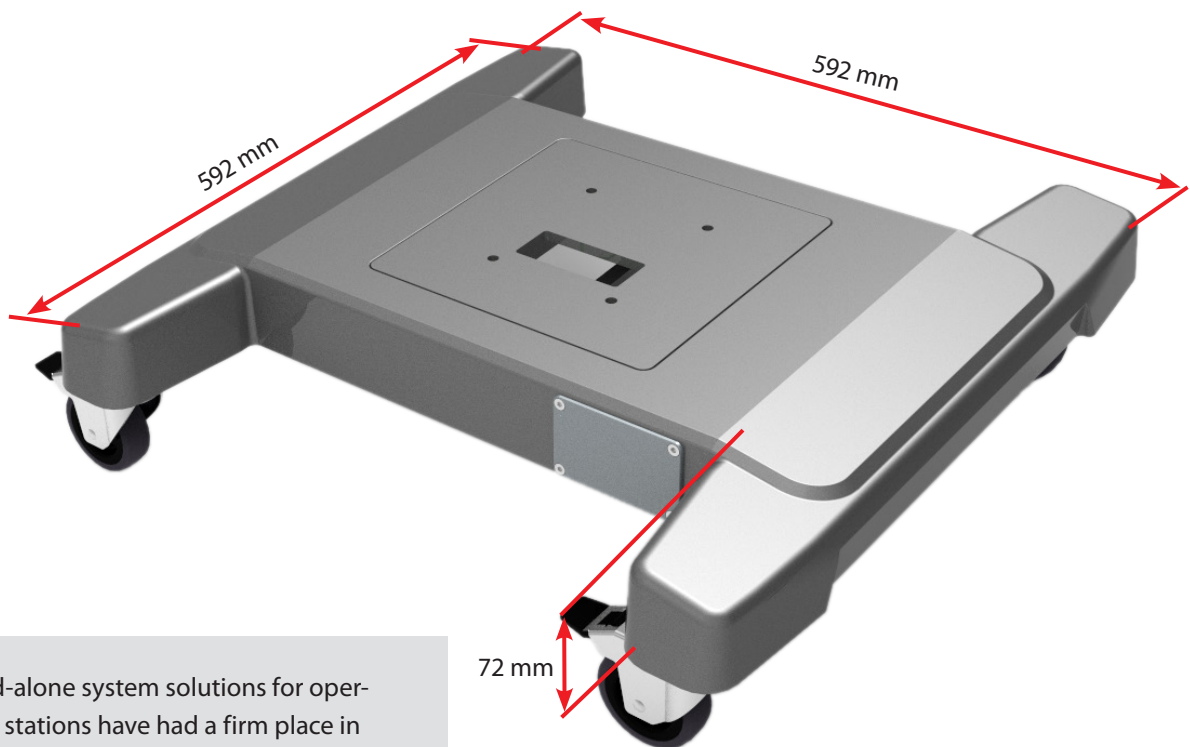
flex.base

... to stay safely on the ground!

flex.base

The flexible stand solution for your operating stations

The **flex.base** offers a pedestal solution for operator stations to give flexible positions, maneuverability and yet stability in production. Expandable with a wide range of accessories such as castors, adjustable feet or additional weights, the stand provides both mobility and optional static positioning for all BERNSTEIN suspension systems. This ergonomically thought-out, convertible and high-quality operator station component is a helpful solution for optimising mobility and flexibility in the field of production technology.



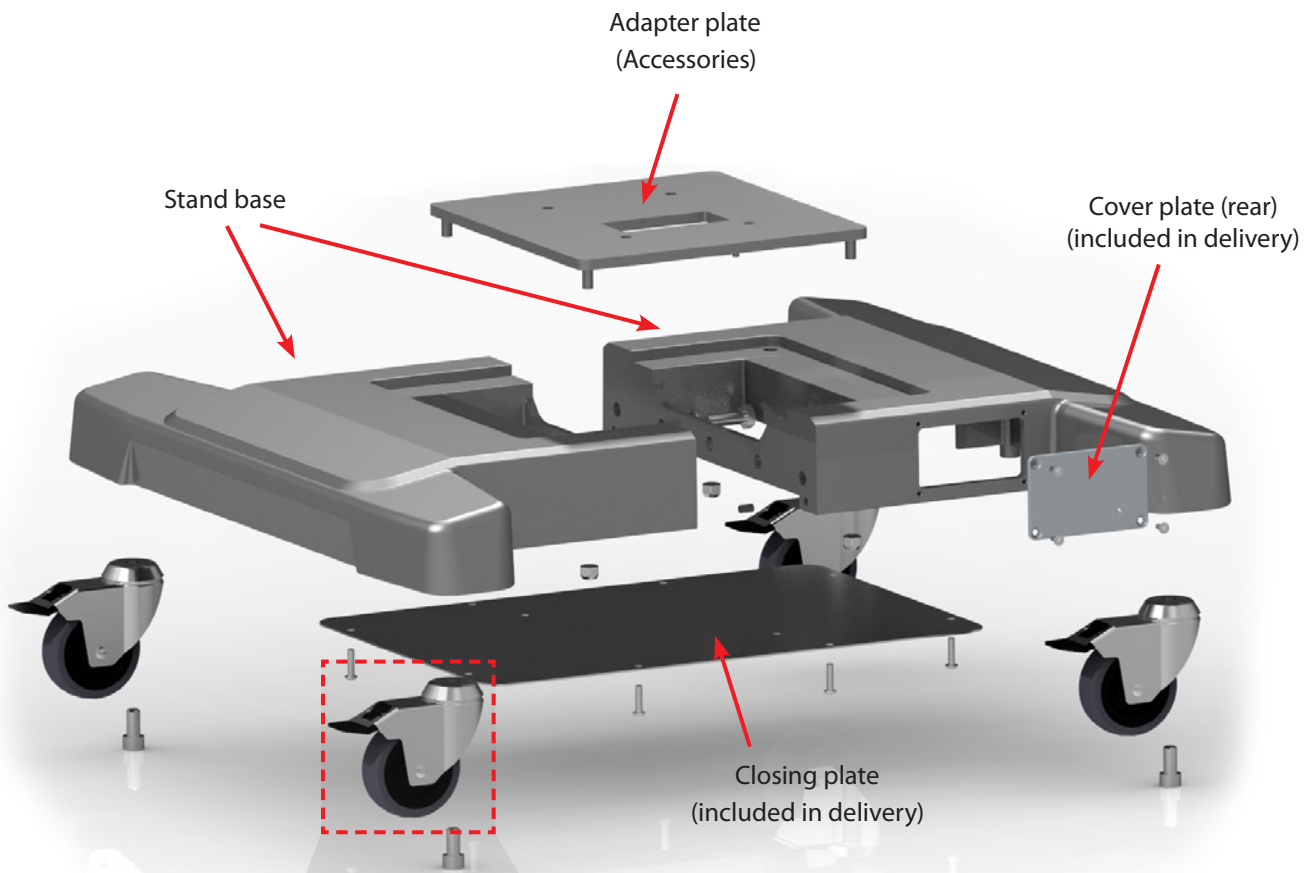
Stand-alone system solutions for operating stations have had a firm place in the mechanical engineering and plant construction market for years. The requirements range from fixed, stable solutions to height-adjustable variants and mobile systems. Such products are rounded off with optional accessories for floor mounting or rollable design.

- Free-standing pedestal for adaptation of all BERNSTEIN suspension systems
- Alternatively screwed to the floor
- Optionally with castors

Technical data

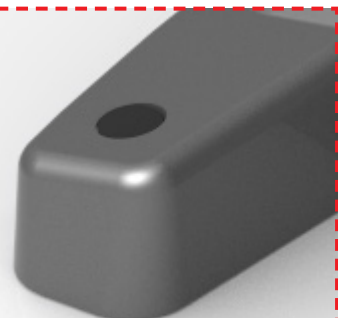
- Weight stand base: approx. 11.1 kg
- Weight adapter plate: 3.6 kg
- Material stand base: die-cast aluminium
- Material adapter plate: powdered steel
- Integrated earthing screws
- Generous space for cable routing
- Rear cover plate; for own processing

Technical construction



**Accessories: Castors
or adjustable feet**

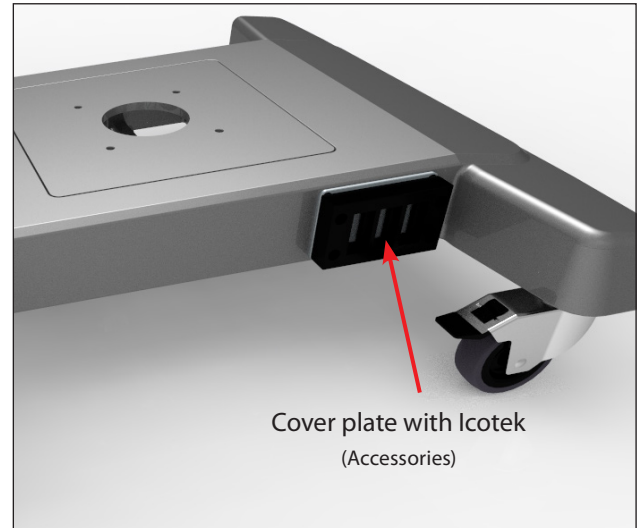
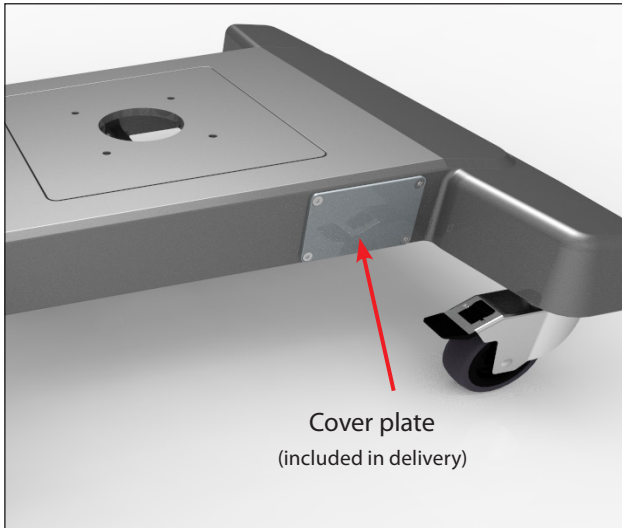
Variant for floor mounting



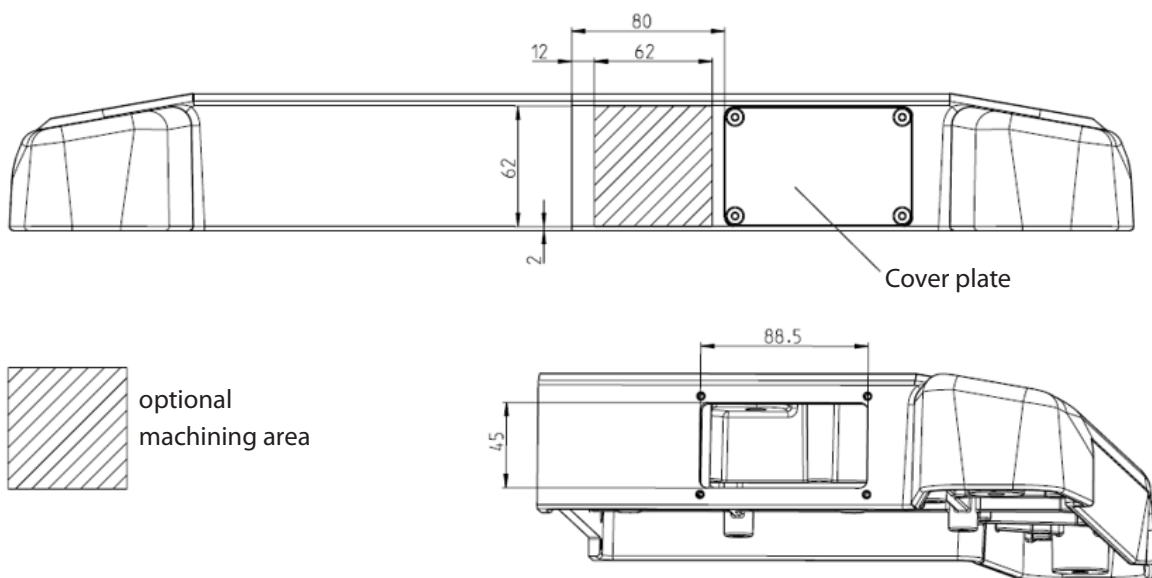
Rear view

Cable entry

A cover plate is located on the rear side as cable entry.
Optionally, the cable entry can also be made with Icotek.

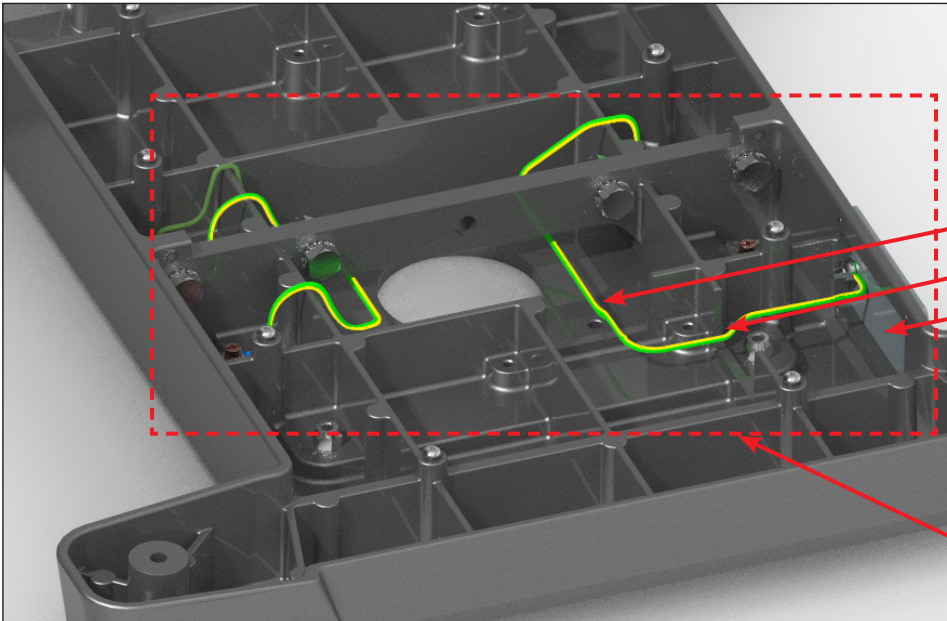


For own processing for cable glands or cable entry systems.



Earthing / Cable management

The stand base **flexo** offers generous space for cable management.
An integrated earthing concept is also part of the new stand base.

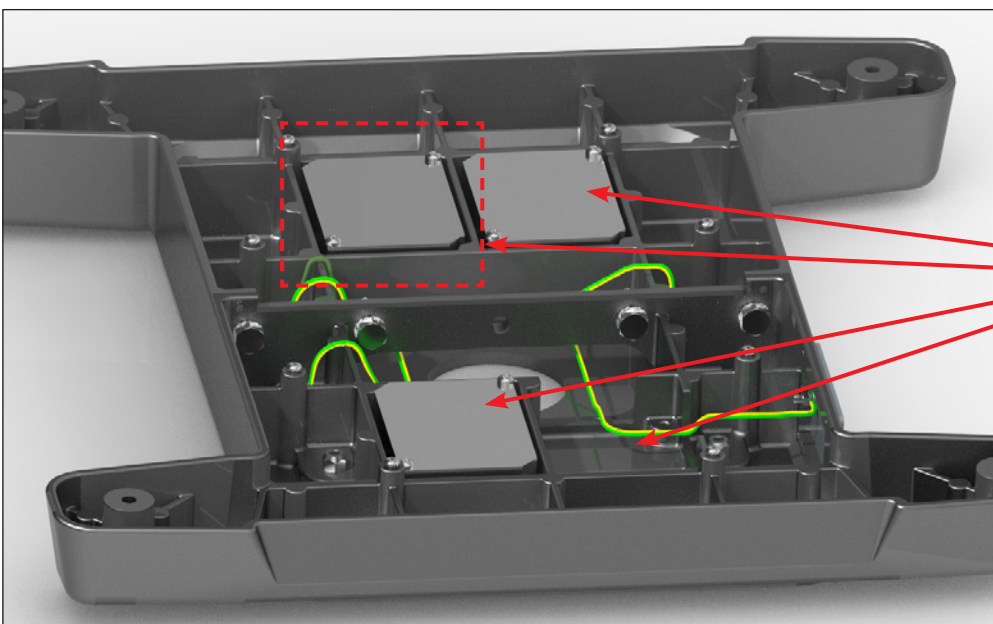


Standard cut-outs:

- Cut-out 55 x 30 mm
- Cut-out 55 x 30 mm
- Cut-out 88,5 x 45 mm plus 4 x M4

Generous space for cable management

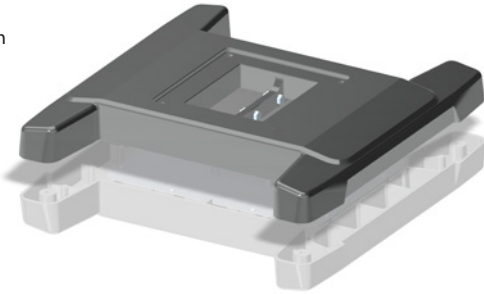
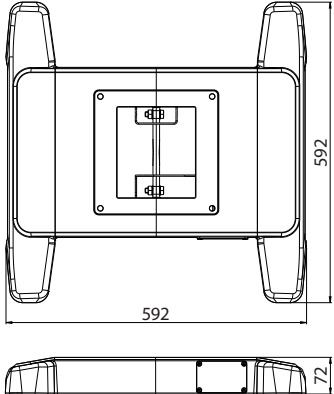
Additional weight


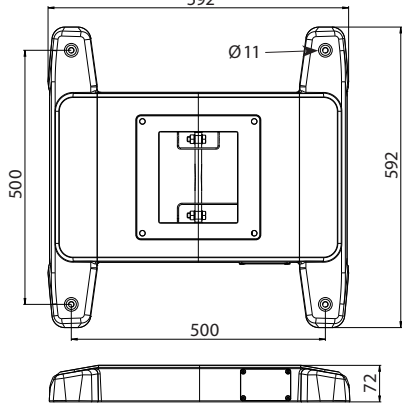


A maximum of
4 additional weights
can be installed.

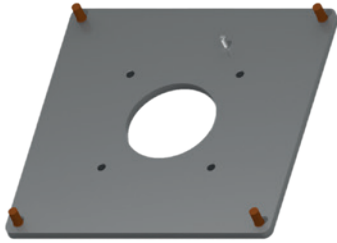
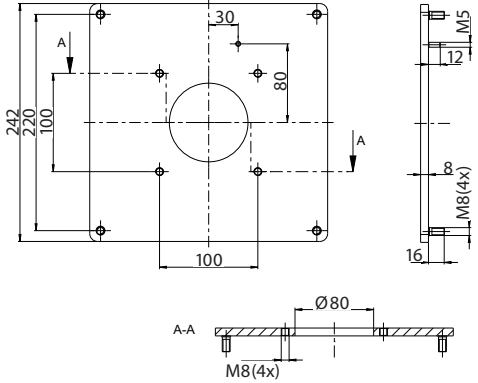
Ordering data

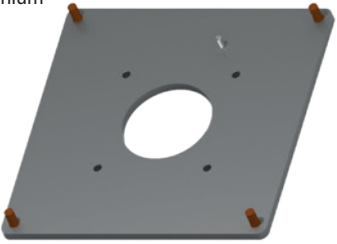
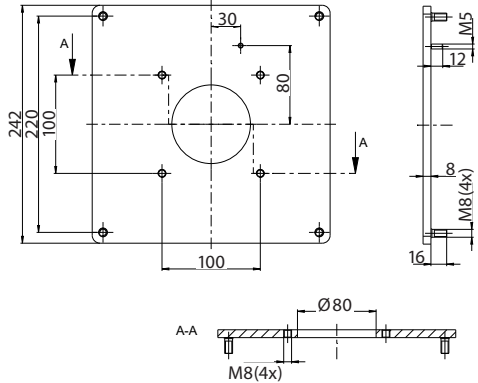
flex_obase

Article	Figure	Dimension drawing (data in mm)
<p>flex.base stand base 1016552200 RAL 9006 white-aluminium</p> <ul style="list-style-type: none"> Material: die-cast aluminium Weight: 11.1 kg 		

<p>flex.base stand base for floor mounting 1016562200 RAL 9006 white-aluminium</p> <ul style="list-style-type: none"> Material: die-cast aluminium Weight: 11.1 kg 		
---	--	---

flex_obase Accessories

<p>Adapter plate for CS-480 B.flex stand base, fixed 9806000101 RAL 9006 white-aluminium</p> <ul style="list-style-type: none"> Material: powdered steel Weight: 3.6 kg 		
--	---	--

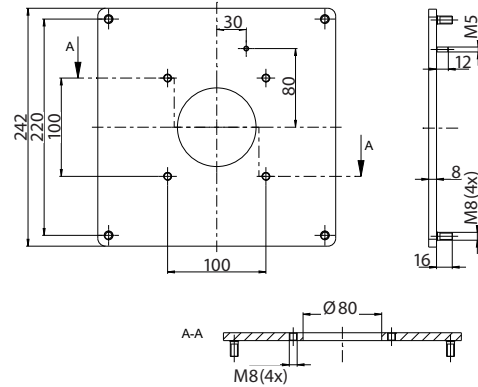
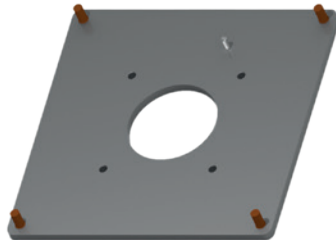
<p>Adapter plate for CS-3000 neXt stand base 9806000101 RAL 9006 white-aluminium</p> <ul style="list-style-type: none"> Material: powdered steel Weight: 3.6 kg 		
--	---	--

Article	Figure	Dimension drawing (data in mm)
---------	--------	--------------------------------

Adapter plate for CS-3000 stand base

9806000101 RAL 9006 white-aluminium

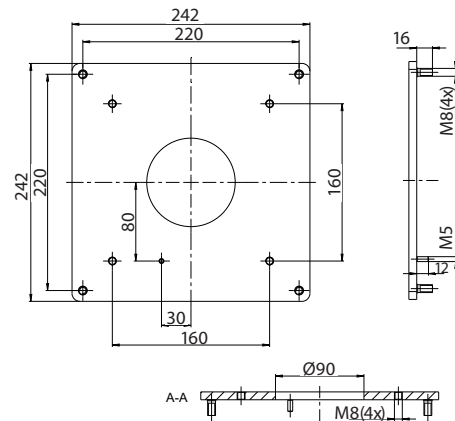
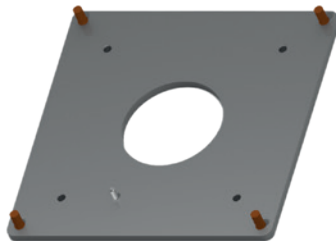
- Material: powdered steel
- Weight: 3.6 kg



Adapter plate for CS-4000 neXt stand base, fixed

9806000098 RAL 9006 white-aluminium

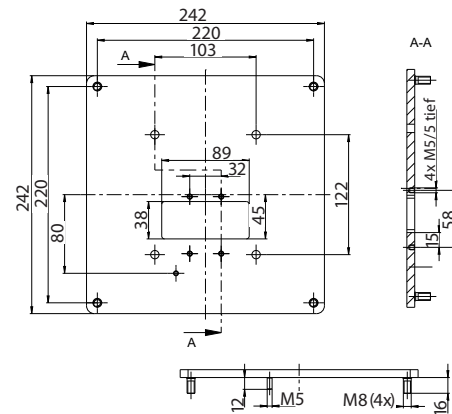
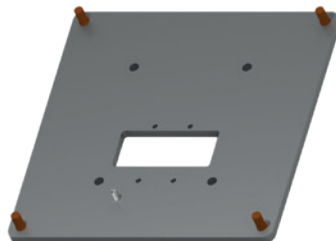
- Material: powdered steel
- Weight: 3.6 kg



Adapter plate for CS-4000 neXt Column profile

9806000099 RAL 9006 white-aluminium

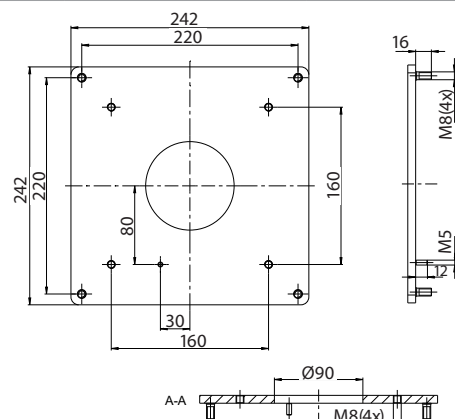
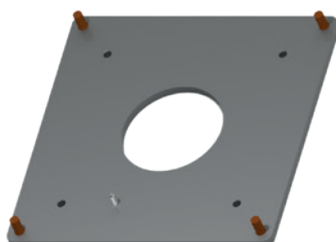
- Material: powdered steel
- Weight: 3.6 kg



Adapter plate for CS-2000 System 80 Supporting column

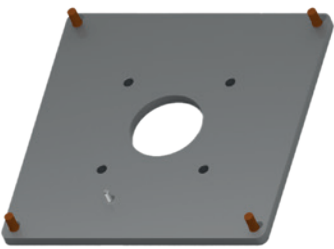
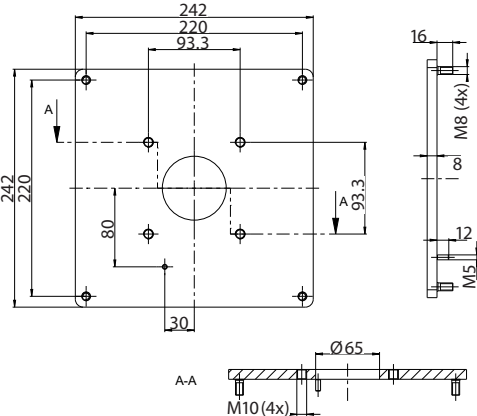
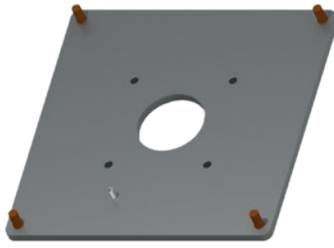
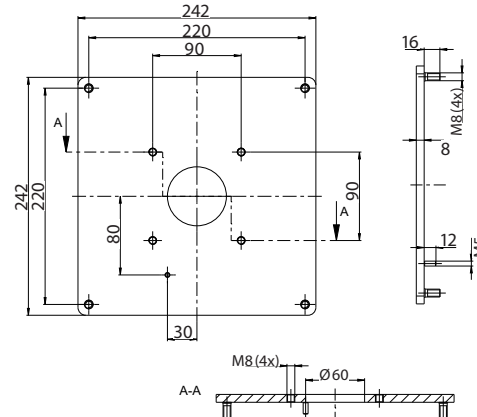
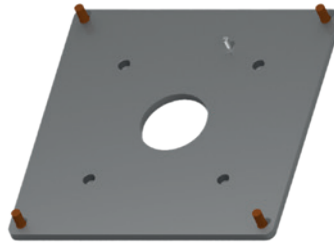
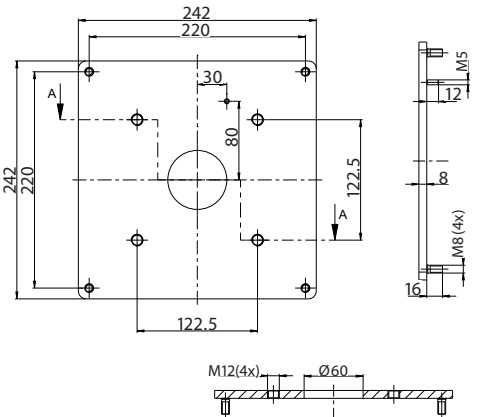
9806000098 RAL 9006 white-aluminium

- Material: powdered steel
- Weight: 3.6 kg



Ordering data

flexo base Accessories

Article	Figure	Dimension drawing (data in mm)
<p>Adapter plate for CS-2000 system 60 stand base 9806000118 RAL 9006 white-aluminium</p> <ul style="list-style-type: none"> • Material: powdered steel • Weight: 3.6 kg 		
<p>Adapter plate for CS-2000 SL 45/60 stand base 9806000119 RAL 9006 white-aluminium</p> <ul style="list-style-type: none"> • Material: powdered steel • Weight: 3.6 kg 		
<p>Adapter plate for CS-2000 system 80 stand base 9806000120 RAL 9006 white-aluminium</p> <ul style="list-style-type: none"> • Material: powdered steel • Weight: 3.6 kg 		

Article	Figure
---------	--------

Castor set (4 pieces industrial rolls)

9808012800

- Rolls Ø 75 mm
- Load capacity per roll: 50 kg
- Incl. assembly material and instructions



Castor set (4 pieces apparatus rolls)

9808015300

- Rolls Ø 75 mm
- Load capacity per roll: 70 kg
- Incl. assembly material and instructions



Adjustable feet set (4 pieces)

9808012900

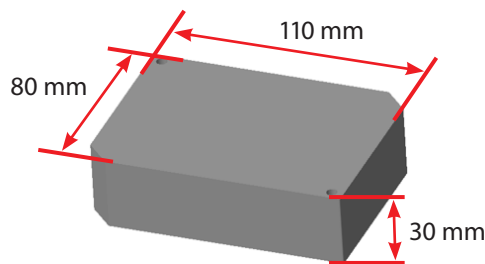
- Height adjustable
- Adjustable overall height: 35–45 mm
- Incl. assembly material and instructions
- Load capacity per adjustable foot: 50 kg



flex.base additional weight

9806000145 RAL 9006 white-aluminium

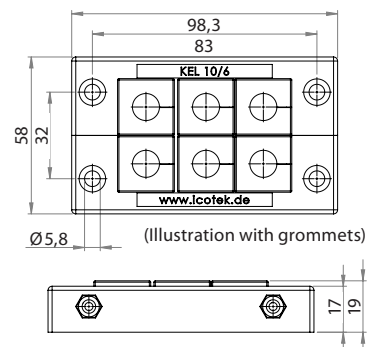
- Material: steel
- Self-forming screws included
- Weight: 2 kg



**flex.base Interface plate
Icotek KEL 10 (without grommets)**

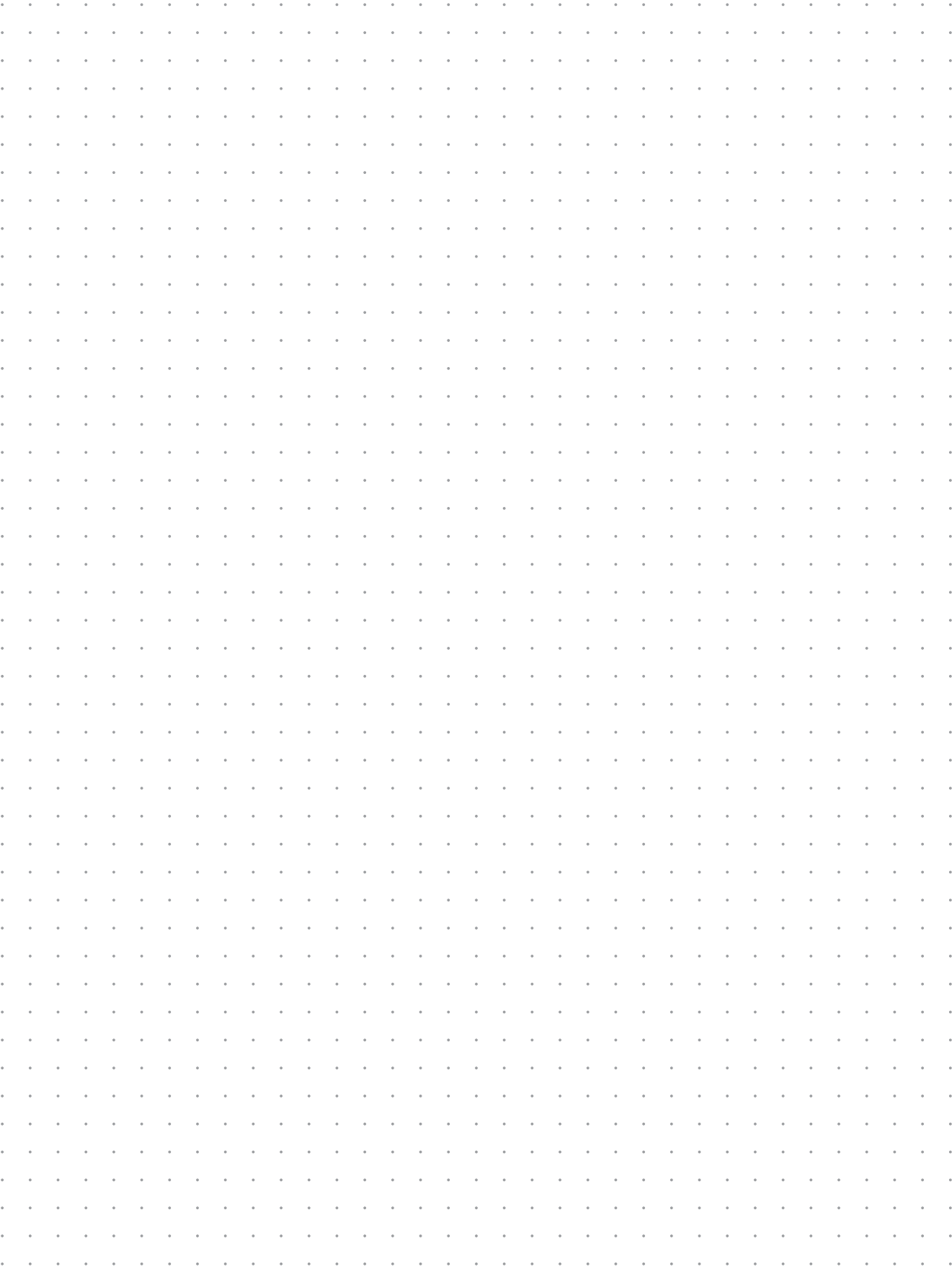
9806000153

- Material: plastic



Notes

Diagrams. Sketches. Ideas.







**We make
safety happen.**



**We keep safe
your visions.**

Contact

International Headquarters BERNSTEIN AG

Hans-Bernstein-Str. 1
D-32457 Porta Westfalica
Phone +49 571 793-0
Fax +49 571 793-555
info@de.bernstein.eu
www.bernstein.eu

Denmark BERNSTEIN A/S

Phone +45 7020 0522
Fax +45 7020 0177
info@dk.bernstein.eu

France BERNSTEIN S.A.R.L.

Phone +33 1 64 66 32 50
Fax +33 1 64 66 10 02
info@fr.bernstein.eu

Italy BERNSTEIN S.r.l.

Phone +39 035 4549037
Fax +39 035 4549647
info@it.bernstein.eu

United Kingdom BERNSTEIN Ltd

Phone +44 1922 744999
Fax +44 1922 457555
info@uk.bernstein.eu

Austria BERNSTEIN GmbH

Phone +43 2256 62070-0
Fax +43 2256 62618
info@at.bernstein.eu

Switzerland BERNSTEIN (Schweiz) AG

Phone +41 44 775 71-71
Fax +41 44 775 71-72
info@ch.bernstein.eu

Hungary BERNSTEIN Kft.

Phone +36 1 4342295
Fax +36 1 4342299
info@hu.bernstein.eu

China BERNSTEIN Safe Solutions (Taicang) Co., Ltd.

Phone +86 512 81608180
Fax +86 512 81608181
info@bernstein-safesolutions.cn